

BORE BUSTER[®]

Patent No. 4865496

OWNER'S MANUAL

WARNING:

Read all instructions and save them for future reference. When using this tool, basic safety precautions should always be followed to reduce the risk of property damage or personal injury, including the following items:

SAFETY INSTRUCTIONS

1. **KNOW YOUR TOOL.** Read the entire owners manual carefully. Learn the BORE BUSTER'S® applications and limitations as well as it's specific potential hazards.
2. **USE ONLY THOSE POWER TOOLS THAT ARE SUITED FOR USE WITH THE BORE BUSTER®.** Read the entire owners manual carefully for any drive unit (drill motor) used with the BORE BUSTER® and assure yourself of it's suitability. Follow basic safety precautions for power tools, including those listed in the drive unit's manual.
3. **USE SIDE HANDLES,** if available, for any drive unit used with the BORE BUSTER®. This will reduce risk of injury if Bit grabs the workpiece.
4. **DO NOT MODIFY THE BORE BUSTER®** except as specifically noted in this manual.
5. **MAINTAIN PROPER ENVIRONMENT.** Do not expose to rain or use in damp or wet locations. Do not use in the presence of flammable liquids or gases to avoid igniting such liquids or gases. Keep the work area well lighted.
6. **KEEP THE WORK AREA CLEAN.** Avoid any clutter in work area, especially on or near stairs or balconies.
7. **KEEP CHILDREN AWAY.** All visitors should be kept at a safe distance from the work area.
8. **STORE IN A SAFE PLACE** when tool is not in use.
9. **DO NOT FORCE TOOL.** The BORE BUSTER® will do a safer and higher quality job if it is used at the rate for which it was designed. Sharpen bits or twist bits if tool is not cuffing freely.
10. **WEAR PROPER APPAREL.** Do not wear loose clothing or jewelry which may get caught in moving parts. Wear protective covering to contain long hair.
11. **USE SAFETY GLASSES** at all times. Use proper dust mask or respirator.
12. **DO NOT OVERREACH.** Keep proper footing and balance at all times. When ever possible, move workpiece away from stairs and balconies. Never lean toward drop-off of any kind.
13. **DISCONNECT DRIVE UNIT WHEN ADJUSTING THE BORE BUSTER®.** Always disconnect drive unit when changing bits, adjusting angle of bore, positioning on workpiece, etc.
14. **MAINTAIN WITH CARE.** Keep bits and twist bits sharp and clean at all times for safe and quality performance. Carefully follow instructions for changing accessories. Keep tool clean and dry. Use proper lubrication. Frequently inspect for proper alignment of all parts, and free movement of all moving parts. Frequently inspect for damage and discontinue use until any damaged parts are

properly repaired. Damaged parts should be repaired or replaced by the manufacturer unless otherwise indicated in this manual.

15. USE EAR PROTECTION if tool is used for extended periods to avoid impairment of hearing.
16. KEEP HANDS AWAY FROM BITS, TWIST BITS AND ALL MOVING PARTS of the BORE BUSTER® and drive unit. Never adjust with drive unit connected.
17. MOUNT SECURELY to workpiece before use.
18. ATTACH THE CHUCK-BUSTER® TO THE BIT ONLY WHEN BORING. Never leave the drive unit/Chuck-Buster hanging from or otherwise supported by the bit.
19. NEVER LET THE BORE BUSTER® HANG from a handrail in the unclamped position. Never leave a hanging BORE BUSTER® unattended, clamped or unclamped.
20. STAY IN CONTROL. Do not operate the BORE BUSTER® when you are tired, or under the influence of alcohol or other drugs which may impair your judgment. Use common sense and pay attention to what you are doing at all times.

CAUTION: Failure to adhere to the above safety precautions constitutes misuse and may cause property damage or personal injury. The manufacturer assumes no responsibility for damage or injury resulting from the misuse of this tool, its misapplication, or nonadherence to precautionary safety practices.

FIGURE 1

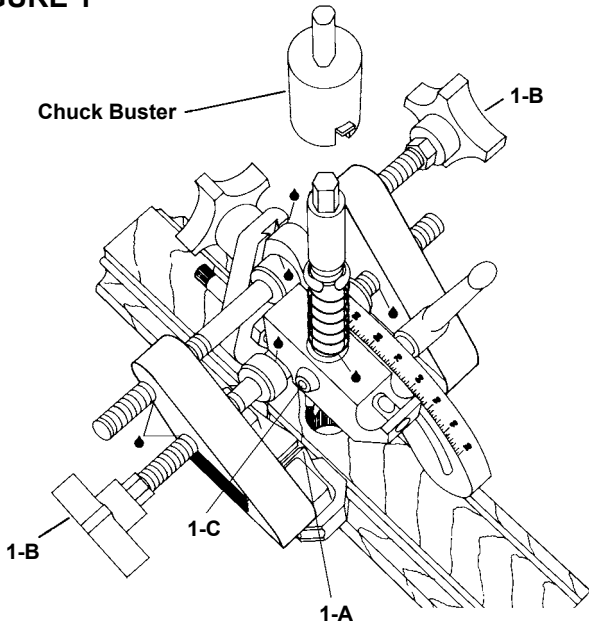


FIGURE 2

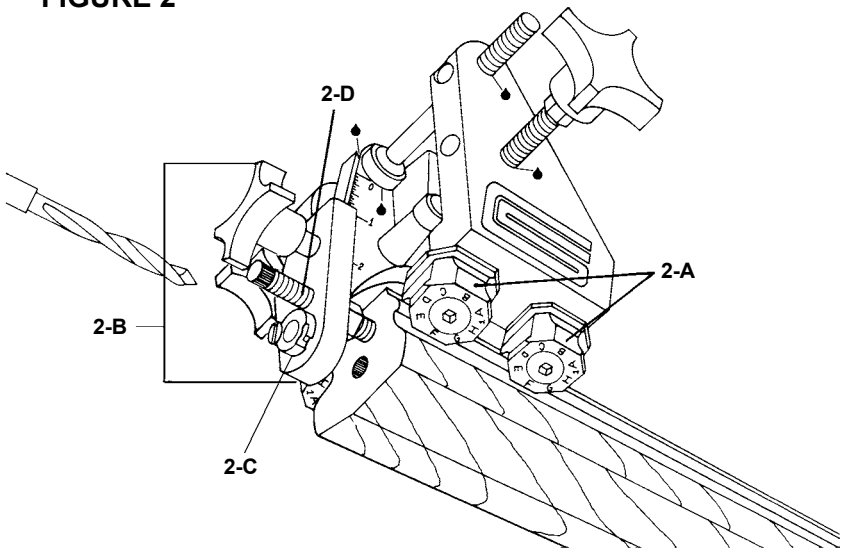
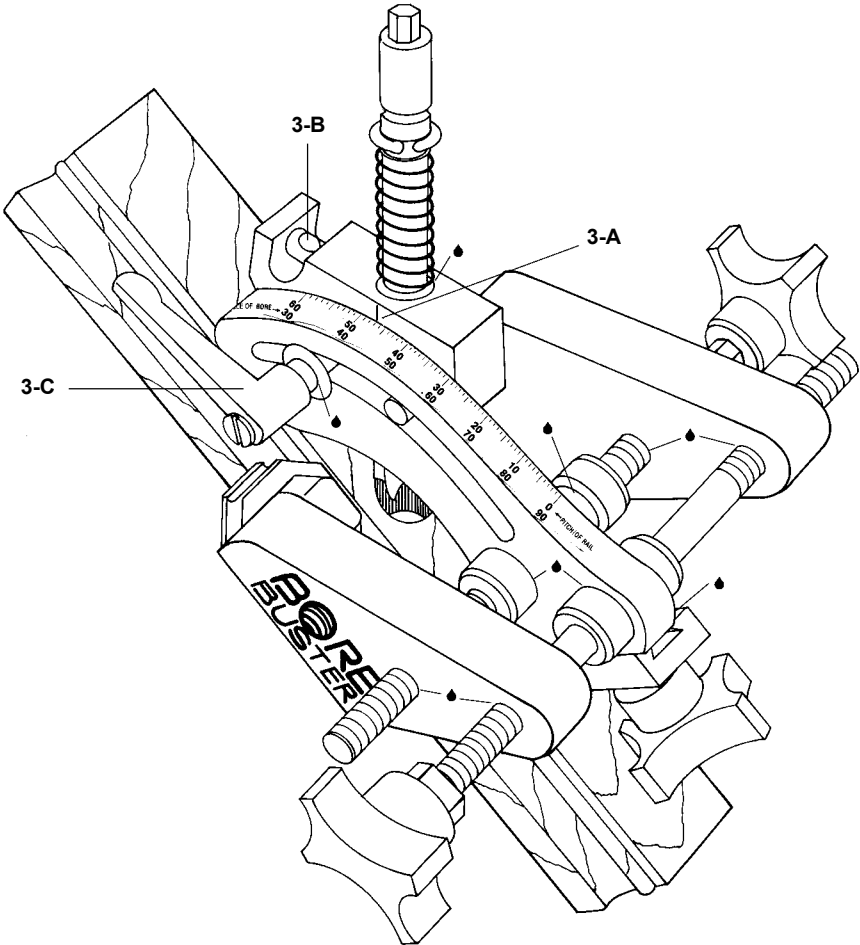


FIGURE 3



FEATURES

Your BORE BUSTER® was designed and manufactured at our manufacturing facility. The design objectives were to create a tool that would enable the craftsman and novice alike to quickly and easily bore precision holes, perpendicular or angled, in wooden handrails. Its prominent features include:

LIGHT WEIGHT BUT TOUGH. The BORE BUSTER® castings are made of light weight aluminum, and coated with an anodized finish that is harder than steel. The feet are cast urethane, specially formulated for toughness and abrasion resistance but are soft enough that they will not damage hardwood handrail, with proper use.

ANGULAR ADJUSTABILITY. The angular bushing can be adjusted to bore at angles from 90 degrees to 30 degrees relative to the bottom of the handrail (0-60 degree pitch). See FIGURE 3-A. The bushing is easily replaceable.

PRECISION PITCH CONTROL. The spirit level built into the angular bushing housing enables the operator to quickly and accurately establish proper pitch angles. See FIGURE 3-B. The level performs equally well in both above and below the handrail operations. The locking lever can be rotated 360 degrees by pulling and twisting. See FIGURE 3-C. Precise 1 degree graduations on the guide plate indicate the angle.

POSITIVE POSITIONING. Using the Allen wrench, the unique rotating feet can be indexed to 8 different positions to provide accurate and repeatable positioning on a variety of handrail designs. See FIGURE 2-A. One side of the foot can be shaped to a profile of your choosing. See SPECIAL HANDRAIL STYLE, and FOOT PROFILE CHART.

EASE OF LAYOUT. The BORE BUSTER® bit will always center (along the length and across the width) at the same relative position on the handrail regardless of the angle at which it is set. A center indicator is located on each jaw and can be read from the top, the bottom, and either side. See FIGURE 1-A. A small pencil line at either side of the bottom of the handrail is all that is needed for accurate layout.

EASE OF MOUNTING AND ADJUSTING. The two adjust screws with Adjusting Screw knobs allow for quick locking from either side. See FIGURE 1-B. For many handrail designs, the knob only needs to be slightly loosened to allow the feet to slide without totally disengaging from the handrail. **CAUTION! TO AVOID DAMAGE OR INJURY, NEVER LET THE BORE BUSTER® HANG UNCLAMPED FROM A HANDRAIL.**

EASE OF HANDRAIL END DRILLING. The dovetailed end bushing assembly provides for the precise drilling of 3/8" holes at various heights in the end of the handrail. See FIGURE 2-B. A 2" scale with 1/8" graduations clearly indicates the hole center relative to the bottom of the handrail. The hardened steel bushing is replaceable. See FIGURE 2-C and CHANGING BUSHINGS. L.J. Smith does offer, as a separate purchase, a 1/4" dovetailed end bushing (3090-3A 1/4), and a 1/4" twist bit with the Chuck-Buster shank (3049-1/4).

FAST AND ACCURATE RAIL BOLT HOLES. First, bore a 1" hole at 90 degrees to the bottom of the handrail then drill a 3/8" hole in the end of the handrail at the desired height. An Offset Screw is provided to allow for variable backset from the center of the 1" hole to the end of the handrail. The centers of the two holes will always intersect. Use the VersaTool™ (LJ-3044) and 9/32" twist bit to mark and drill the mating fitting. If attaching to a newel post, mark the center (left to right) of the top square and drill a hole using a 9/32" twist bit.

ACCOMMODATES CIRCULAR HANDRAILS. The exclusive balanced design allows for use on circular handrails, both level and on the pitch. The BORE BUSTER® will bore slightly off-center on a curved workpiece but the error is generally insignificant (.017", approximately 1/64", for a handrail with a 30" radius).

SPECIAL BITS INCLUDED. Three BORE BUSTER® bits are included as standard equipment. Sizes are 5/8", 3/4" and 1". Also included are 9/32" and 3/8" Twist Bits for rail bolt application. All of these tools are provide with Chuck-Buster Shanks for use with the Chuck-Buster (also included), and are conveniently enclosed in a tough fabric Jacket. The Jacket will hold up to 10 bits and 2 twist bits. A BORE BUSTER® File is provided to sharpen bits and Twist Bits.

A TOUGH, FOAM LINED CARRYING CASE is provided with each BORE BUSTER®.

BORE BUSTER® PLUS. If you purchased the BORE BUSTER® PLUS, you also have the following items:

- 3/8" ELECTRIC DRILL. The electric drill is variable speed, reversible and is equipped with a powerful 5.2 amp motor. This drive unit is an excellent tool for use with the BORE BUSTER®. See DRIVE UNIT RECOMMENDATIONS.
- CENTAUR (3035). This tool will enable the user to drill fast and accurate holes in the end of 1 1/4" and 1 3/4" balusters.
- RAIL-BOLT RUNNER (3032). For quick insertion of rail bolts on the job site or in the shop. The Rail-Bolt Runner is provided with a Chuck-Buster Shank for use with the Chuck-Buster.
- DOWEL-RUNNER® (3033). For quick insertion of dowel screws on the job site or in the shop. The Dowel-Runner® is provided with a Chuck-Buster Shank for use with the Chuck-Buster.
- DOWEL-FAST TAP (3036). This tool drills and taps holes for ease of tightening dowel-screwed balusters into treads and landing tread. The Dowel-Fast Tap is provided with a Chuck-Buster Shank for use with the Chuck-Buster.
- VERSATOOL™ (LJ-3044). This tool locates holes as well as starts and tightens hex nuts onto rail bolt. Drives 5/16" rail bolts and tightens 1/2" hex nuts.

USING THE BORE BUSTER®

CAUTION: Read and understand the SAFETY INSTRUCTIONS in this manual prior to using the BORE BUSTER®.

INSERTING AND CHANGING BITS

Three BORE BUSTER® bits are included with each BORE BUSTER®. Each bit has a precision ground shank especially made for use in the Angular Bushing. The bits are also equipped with a Chuck-Buster Shank for use with the Chuck-Buster. NO OTHER BITS SHOULD BE USED IN THE BORE BUSTER®. Your BORE BUSTER® was shipped with a 1" BORE BUSTER® Bit inserted in the Angular Bushing. Make note of the Retracting Spring Assembly that holds the Bit away from the workpiece. You will need to duplicate the position of each part each time you change bits. Care must be taken to avoid losing any of the parts. The Retracting Spring Assembly reduces the chance of injury, prevents damage to the handrail when attaching, positioning or moving the BORE BUSTER®, and prevents overbore (boring out the top of the handrail) with most profiles. DO NOT USE THE BORE BUSTER® WITH THE RETRACTING SPRING ASSEMBLY REMOVED. To remove a bit, detach the Retracting Spring Retainer (use slotted screwdriver, key, pliers, etc.) and carefully slide the bit out of the Angular Bushing. Use caution to avoid injury when handling the Bits. Be careful not to lose the small Retracting Spring Washers. Insert bits in reverse order of removal. Be careful not to damage the Angular Bushing when changing Bits.

ATTACHMENT TO HANDRAIL

Using the 5/16" Allen wrench provided, index all four feet to the proper profile to fit the handrail workpiece. See FOOT PROFILE CHART. Turn the Adjusting Screws until the Feet are approximately spaced to receive the handrail. Set the Feet over the handrail and engage the Feet by firmly tightening (right hand rotation) either or both of the Adjusting Screws. Be sure of foot/handrail profile compatibility. The design of the BORE BUSTER® allows the Jaws to be out of parallel, but unless the fit with the handrail is improved by so doing, the Jaws should be kept approximately parallel. With the BORE BUSTER® locked tightly on the handrail, you are ready to bore holes in the bottom or the end of the workpiece. To adjust along the handrail, loosen either of the Adjusting Screws just enough to slide the tool to the new location, then, firmly tighten the loosened Adjusting Screw.

POSITIONING TO LAYOUT MARKS

Put layout marks on the bottom of the handrail, preferably nearest the side of the handrail most easily viewed when attaching the BORE BUSTER®. Move the BORE BUSTER® along the handrail until the Center Indicator in the Jaw is aligned with the layout mark on the handrail. See FIGURE I-A. The BORE BUSTER® is designed to center in both length and width regardless of the angle or size of bit used. NOTE: Self centering is only effective with the proper foot/handrail profile match. See FOOT PROFILE CHART.

BORING WITH THE ANGULAR BUSHING

PERPENDICULAR: To bore perpendicular holes, move the Angular Bushing to the full up position (90 degree bore angle, 0 degree pitch angle) and lock firmly with the Angular Bushing Lever. Properly attach and position the BORE BUSTER® to the handrail. Verify positioning, attachment, and bit size and sharpness. Firmly lock the Chuck-Buster in the drive unit and engage the Chuck-Buster with the mating end of the bit. Bore at the speed at which the bit cuts freely and does not overload the drive unit. Check your

first hole for size by inserting several balusters. If Bit gets too hot to handle, let it cool before continuing, or the Angular Bushing may be damaged. If boring near the end of the handrail the Offset Screw can be used to get repeatable backset from the center of the bore to the end of the handrail. See FIGURE 2-D. For most handrail, the BORE BUSTER® will not bore deep enough to go through the workpiece but caution should be used to avoid overbore. When hole is proper depth, disengage the Chuck-Buster from the Bit by depressing the tab. **DO NOT LEAVE THE DRIVE UNIT CONNECTED TO THE BORE BUSTER® WHEN MAKING ANY ADJUSTMENTS.**

ANGULAR: IF YOU KNOW THE ANGLE at which the hole is to be bored, set the Angular Bushing to that angle using the graduated scale on the Guide Plate. **NOTE:** The scale indicates the angle of the bore and the pitch of the stair.

IF YOU DO NOT KNOW THE ANGLE at which the hole is to be bored, put the handrail in place between its end supports, or lay it up-side-down and end-for-end along the nose of the treads.

Properly attach and position the BORE BUSTER® to the handrail. Loosen the Angular Bushing Lever and rotate the bushing on the Guide Plate until the spirit level indicates a level reading. Firmly lock the Angular Bushing Lever. Verify positioning, attachment, and bit size and sharpness. Firmly lock the Chuck-Buster in the drive unit and engage the Chuck-Buster with the mating end of the Bit. Extra care must be taken when starting the hole to avoid tearout. Bore at the speed at which the bit cuts freely and cleanly, and does not overload the drive unit. Check your first hole for size by inserting several balusters. If the Bit gets too hot to handle, let it cool before continuing or the Angular Bushing may be damaged. For most handrail, the BORE BUSTER® will not bore deep enough to go through the workpiece but caution should be used to avoid overbore. When hole is proper depth, disengage the Chuck-Buster from the Bit by depressing the tab. **DO NOT LEAVE THE DRIVE UNIT CONNECTED TO THE BORE BUSTER® WHEN MAKING ANY ADJUSTMENTS.**

DRILLING WITH THE END BUSHING

The End Bushing is used to drill 3/8" holes in the end of a handrail. The principal purpose of the 3/8" hole is to provide clearance for a rail bolt. Other similar applications may apply. The scale on the Guide Plate indicates the distance from the bottom of the rail to the center of the 3/8" hole. The 3/8" Twist Bit used in the Bushing is fitted with a Chuck-Buster Shank for fast and positive chucking. Use the VersaTool™ (LJ-3044) and 9/32" twist bit to mark and drill the mating fitting. If attaching to a newel post, mark the center (left to right) of the top square and drill a hole using a 9/32" twist drill.

SPECIAL HANDRAIL STYLES

One side of each foot is flat and can be shaped to fit a special handrail profile. To shape the feet, clamp them in a vise and use a rasp, file or similar tool to cut the profile. **DO NOT ATTEMPT TO SHAPE THE FEET WHILE HELD IN YOUR HAND! DO NOT ATTEMPT TO CUT THE FEET WITH POWER TOOLS!** Accurate holes cannot be bored if the feet are not close to identical. We suggest that each foot be rough shaped individually, then, with all 4 feet lined up in the vise, perform the final shaping. This will usually yield the greatest consistency. It is very important to have 1/8" between the bottom of the handrail and the top of the feet.

SPECIAL APPLICATIONS

The BORE BUSTER® can be used to measure the pitch of stairs and many other items. For items with size or shape not compatible with the feet, the pitch may be measurable by holding all four feet on its surface. With the feet clamped or held to the item, rotate the Angular Bushing until the Spirit Level indicates level and then read the angle on the scale. **NOTE:** The scale indicates the angle of the bore and the pitch. The BORE BUSTER® makes a convenient doweling jig for a variety of applications.

MAINTENANCE

KEEP BITS AND TWIST BITS SHARP. Keeping your cutters clean and sharp will yield the following results:

- Less work for you and the drive unit.
- Less wear on the bushing resulting in longer bushing life.
- Less strain on the BORE BUSTER® structure.
- Less heat to dissipate. Heat is damaging to the cutters and to the bushings, especially the Angular Bushing.
- Longer cutter life. A cutter that is kept sharp will far outlast a poorly maintained cutter.

The BORE BUSTER® Bits and Twist Bits should be sharpened with the BORE BUSTER® File and/or a small stone. It is important to maintain the basic cutter geometry for high quality holes. Hold cutters securely in a soft jaw vise (damage to the shank of the Bits will quickly destroy the Angular Bushing) and file carefully to reduce the chance of injury. Most saw shops can do a good job of sharpening your cutters. Keep the Bit in the special jacket provided to avoid damage to the cutting edges or the shanks.

LUBRICATION

Only light and occasional lubrication is necessary to keep your BORE BUSTER® in good operating condition. Be careful not to over lubricate or you may get oily hands and stain your workpiece. Wipe with a clean cotton cloth after lubricating to remove excess. Lubricate with a very light weight oil at the locations indicated by the oil drops in FIGURES 1, 2, and 3.

BUSHING REPLACEMENT

ANGULAR BUSHING: The Angular Bushing will need occasional replacement. If the Bits do not fit snugly in the Angular Bushing, and, or if the Bits chatter or drift when boring, the Angular Bushing may need to be replaced. To remove the Bushing, loosen the Angular Bushing Lock Screw and push the Bushing out of the Angular Bushing Housing. Insert the new Bushing and tighten the Lock Screw. See FIGURE 1-C. If a Bit fits loosely in a new Bushing, the Bit may be worn to the point that it needs replacement.

END BUSHING: The End Bushing will need occasional replacement. If the Twist Bit does not fit snugly in the End Bushing and drills out of square holes, the End Bushing may need to be replaced. To remove the Bushing, remove the End Bushing Lock Screw and pull the Bushing out of the End Bushing Liner. Insert the new Bushing and install and tighten the Lock Screw. If a Twist Bit fits loosely in a new Bushing, the Bit may be worn to the point that it needs replacement.

PARTS REPLACEMENT

All user replaceable parts are shown in **bold print** in the PARTS LIST. ATTEMPTS BY THE USER TO REPLACE OR REPAIR ANY OF THE PARTS NOT SPECIFICALLY SHOWN AS USER REPLACEABLE SHALL VOID THE WARRANTY.

FOOT PROFILE CHART

<u>LETTER</u>	<u>FITS PART/STYLE</u>	<u>LETTER</u>	<u>FITS PART/STYLE</u>
A	6109	I	6010,6210
B	6005	J	6A10
C	Square/Rectangular*	K	6519
D	6519	L	6601,6701
E	6010,6210	M	6900
F	6601,6701	N	6400
G	6400	O	6B10
H	**	P	6C01

* Will fit any square or rectangular workpiece from approximately 1 1/4" through 4 1/2". Performs well on curb walls and housed stringers. Also handy when using the BORE BUSTER® as a doweling jig. The workpiece should contact the shoulder on all 4 feet for proper positioning.

** This 1 side has been left blank so you can shape it to your own special requirement. CAUTION: Care must be taken when shaping feet to avoid injury. See SPECIAL HANDRAIL STYLES (page 9).

DRIVE UNIT RECOMMENDATIONS

We recommend the use of a 3/8" electric drill. After testing many drive units we feel this unit offers the best compatibility with the BORE BUSTER®. Other drive units used with the BORE BUSTER® should have similar amperage speed and chuck specifications. Features should include:

- 3/8" large Jacobs® chuck.
- Variable speed control.
- Reversible.
- Powerful 5.2 amp motor.
- Quick-Lok, 8' removable/replaceable cord.
- Side handle for easier and safer boring.

Notes:

The BORE BUSTER® PLUS includes the 3/8" electric drill. Each carrying case is designed to carry a 3/8" electric drill. This drive unit has the guts to handle the kind of consecutive boring that handrail installation requires. The 3/8" electric drill is available from your stair parts supplier.

TROUBLE SHOOTING

PROBLEM	LIKELY CAUSE/SOLUTION
Bit does not center on the layout marks.	The bottom of the handrail is not positioned 1/8" below the top of the feet. / Assure foot/handrail profile match and proper engagement of feet with handrail.
Bit does not bore holes at indicated angle.	Not all of the Feet are indexed to the same handrail profile. / Index all Feet to the same profile.
Bit does not bore perpendicular to the transverse (side to side) axis of workpiece.	User shaped Feet are not alike. / Make all Feet as close to identical as possible. Adjusting Screw Collar(s) have moved on Adjusting Screw. / Send BORE BUSTER® in for repair.
Bit is loose in Angular Bushing.	Either the Angular Bushing (most likely) or the Bit have excessive wear. /
Bit chatters when drilling on an angle.	Replace all parts with excessive wear. Note: The Bits should have a shank diameter of .498"-.499".
Bit will not turn freely in Angular Bushing.	Angular Bushing has been overheated or melted. / Replace the Angular Bushing.
Retracting Spring will not return the Bit to the full up position.	Shank on Bit is scarred. / Use very fine file or fine stone to remove any raised portions on Bit. If Bit is severely scarred, it is best to replace it to avoid damage to the Angular Bushing.
Twist Bit is loose in End Bushing.	End Bushing and/or Twist Bit have excessive wear. / Replace all parts with excessive wear. Note: The Twist Bit should have a diameter of .375" and the Bushing should have an I.D. of .375".
Angular Bushing Housing will not rotate easily in the Guide Plate.	Track in Guide Plate is dirty or damaged. / Clean and carefully remove any burrs from the Guide Plate track. Guide Plate is bent. / Send BORE BUSTER® in for repair.
End Bushing Housing will not slide easily on the Guide Plate.	Dovetail is dirty or damaged. / Clean and carefully remove any burrs from mating dovetail parts.
Adjusting Screw will not turn freely.	Adjusting Screw is dirty, rusty, nicked or bent. / Clean, remove nicks and lubricate the Adjusting Screw. If Adjusting Screw is bent, send BORE BUSTER® in for repair.
Bit causes tearout on angular holes. Excessive heat build-up while boring Bit burns or cuts poorly.	Bit is dull or has been sharpened improperly. / Sharpen Bit to original geometry. Top clearance bevel should be 20 degrees.

PARTS LIST

User serviceable parts are listed in **bold print**. * These parts must be repaired or replaced by the manufacturer. Some parts are only available as part of the assembly indicated.

PART NUMBER	DESCRIPTION	ASSEMBLY NUMBER
3161	3/8" Electric Drill	
3161-8	8' Quick-Lok cord	
3060	BORE BUSTER®	
3061	BORE BUSTER®/DRILL/ACCESS	
	Guide Plate *	
	Left Jaw *	
	Right Jaw *	
3060-2	Angular Bushing Assembly	
	Angular Bushing Housing	3060-2
3060-2A	Angular Bushing	
	Angular Bushing Lock Screw	3060-2
	Idler Guide Pin	3060-2
	Locking Guide Pin	3060-2
3060-2B	Guide Pin Washer	
3060-2C	Angular Bushing Locking Lever	
	Spirit Level	3060-2
3060-3	End Bushing Assembly	
	End Bushing Housing	3060-3
3060-3A	End Bushing	
3060-3A 1/4	End Bushing (1/4")	
3060-3B	End Bushing Lock Screw	
3060-3C	End Bushing Knob	
3060-3D	Offset Screw	
3060-3E	Offset Screw Lock Nut	
	Top Adjusting Screw *	
	Bottom Adjusting Screw *	
3060-4	Adjusting Screw Knob	
	Adjusting Screw Collar *	
	Left Pivot Nut *	
	Right Pivot Nut *	
3060-5A	Foot Screw	
3060-5B	Set of 4 Feet, style 1	
3060-5C	1 Foot, style 1	
3060-5D	Set of 4 Feet, style 2	
3060-5E	1 Foot, style 2	
3060-5F	5/16" Allen Wrench	
3060-6	Angular Bit Retracting Assembly	
	Retracting Spring	3060-6
	Retracting Spring Washer	3060-6
	Retracting Spring Retainer	3060-6
3031	CHUCK-BUSTER	
3049-1/4	1/4" (.25) End Bushing Twist Bit	
3060-9/32	9/32" (.281") End Bushing Twist Bit	
3060-3/8	3/8" (.375") End Bushing Twist Bit	
3060-5/8	5/8" (.625") Angular Bushing Bit	
3060-3/4	3/4" (.750") Angular Bushing Bit	
3060-1	1 "Angular Bushing Bit	
3060-10	Bit Jacket	
3060-11	Carrying Case	
3060-12	BORE BUSTER® FILE	
0393-BOREBSTR	Owners Manual	

WARRANTY INFORMATION

IN ORDER TO VALIDATE THE WARRANTY YOU MUST COMPLETE THE WARRANTY REGISTRATION AND MAIL IT TO THE MANUFACTURER.

This warranty does not cover the 3/8" electric drill which is available as an accessory to the BORE BUSTER®. This drive unit is covered, if at all, by its manufacturer in accordance with the manufacturers warranty included therewith.

WARRANTY

Every BORE BUSTER® is thoroughly inspected and tested before leaving the factory. The manufacturer warrants the BORE BUSTER® to be free from defects in material and workmanship under normal use and service for a period of one year from the date of purchase. This warranty extends only to the original purchaser. Should any trouble develop, return the complete BORE BUSTER® prepaid to the manufacturer. If inspection shows the trouble is caused by defective workmanship or material, all repairs will be made without charge and the tool will be returned transportation prepaid.

This warranty does not apply where: (1) Repairs or attempted repairs, except those specifically authorized in the BORE BUSTER® Owners Manual, have been made by persons other than the manufacturer's personnel; (2) Repairs are required because of normal wear; (3) The BORE BUSTER® has been misused or involved in an accident; (4) Misuse is evident; (5) The BORE BUSTER® has been used after partial failure; or (6) The BORE BUSTER® has been used with an improper accessory.

NO OTHER WARRANTY, WRITTEN OR VERBAL, IS AUTHORIZED. THE MANUFACTURER SHALL NOT BE LIABLE FOR ANY SPECIAL, INCIDENTAL OR CONSEQUENTIAL DAMAGES FOR BREACH OF ANY EXPRESS OR IMPLIED WARRANTY ON THE BORE BUSTER®. EXCEPT TO THE EXTENT PROHIBITED BY APPLICABLE LAW, ANY IMPLIED WARRANTY OF MERCHANTABILITY OR FITNESS FOR A PARTICULAR PURPOSE ON THE BORE BUSTER® IS LIMITED IN DURATION TO THE DURATION OF THIS WARRANTY.

SPECIAL ORDERS

Special feet can be made to your specifications.

Other accessories may be available, please inquire if you have a special need.

WARRANTY REGISTRATION

PLEASE COMPLETE EACH OF THE FOLLOWING, STAMP AND MAIL.

Name _____

Address _____

Phone (____) _____ - _____ Date of purchase _____

Purchased from:

Company name _____

City _____ State _____

Check the box that best describes you.

- Handrail installer.
- Trim/finish carpenter also doing handrail installation.
- Residential or commercial builder.
- Stair parts distributor or dealer.
- Rental company.
- Other

I CERTIFY THAT I HAVE READ AND UNDERSTAND THE OWNERS MANUAL

Signature _____

Please feel no obligation, but we would greatly appreciate any comments or suggestions you are interested in offering.

PLACE
STAMP
HERE

L.J. Smith, Inc.
Publications Specialist
35280 Scio-Bowerston Road
Bowerston, Ohio 44695