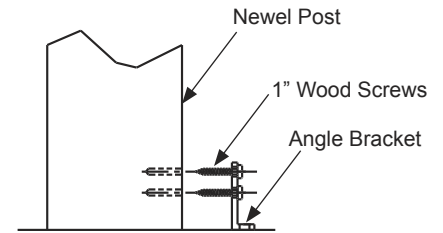
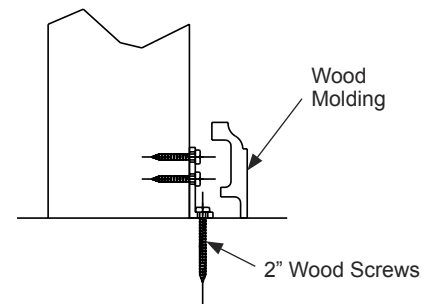


Installation Instructions for LJ-3009 (for 3" newels) LJ-3019 (for 3 1/2" newels) Angle Bracket Newel Post Fastener

1. Place the bottom of the newel post against a flat surface. Using the metal Angle Brackets as a template, mark and predrill for the 1" screws using a 1/8" bit. Attach one (1) Angle Bracket to each side of the newel post using the Screw-Runner™ (3034) to insert the 1" screws. DO NOT EXTEND THE BRACKETS PAST THE BOTTOM OF THE NEWEL POST.



2. Position the newel post with the mounted Angle Brackets on the floor. Using the attached Angle Brackets as a template, mark the floor and predrill for the 2" screws using a 1/8" bit. Attach the Angle Brackets to the floor using the Screw-Runner™ (3034) to insert the 2" screws.



3. Attach the interlocking pre-mitered wood molding pieces to the Angle Brackets. Nail or glue the top edge of each piece of molding.

Tools Needed: 1/8" Twist Bit, Screw-Runner™(3034).