

Installation Instructions for LJ-3001 Rail Bolt

These Instructions will guide you through the steps required for attaching handrail to handrail or handrail to a handrail fitting using our LJ-3001 Rail Bolt.

1. Center and drill a 1/16" hole 15/16" up from the bottom of the rail and fitting as shown in Fig. 1

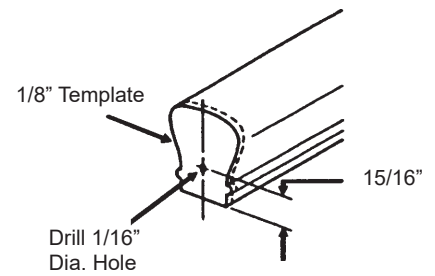


Fig. 1

2. Drill a 1/4" Dia. hole 2 1/8" deep into the fitting. Install the lag screw end of the Rail Bolt into the fitting until 1 7/16" of it remains exposed as shown in Fig. 2.

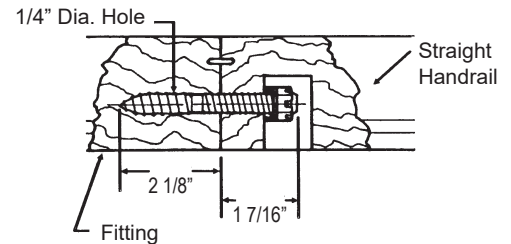


Fig. 2

3. Drill a 1" Dia. hole 1 1/2" deep in the bottom of the handrail as shown in Fig. 3. Drill a 3/8" Dia. hole in the end of the handrail into the 1" Dia. hole as shown in Fig. 3 and 4.

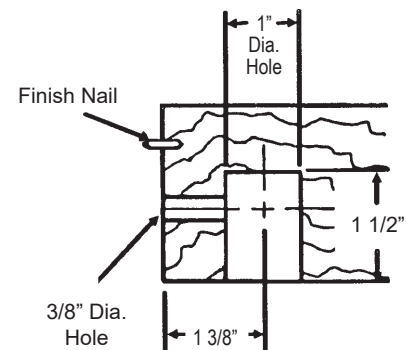


Fig. 3

NOTE: Always assemble the balustrade completely without glue to make sure everything fits, and then disassemble the balustrade and reassemble with glue.

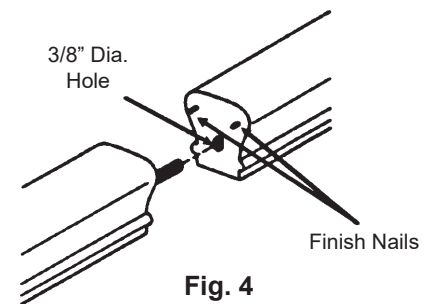


Fig. 4