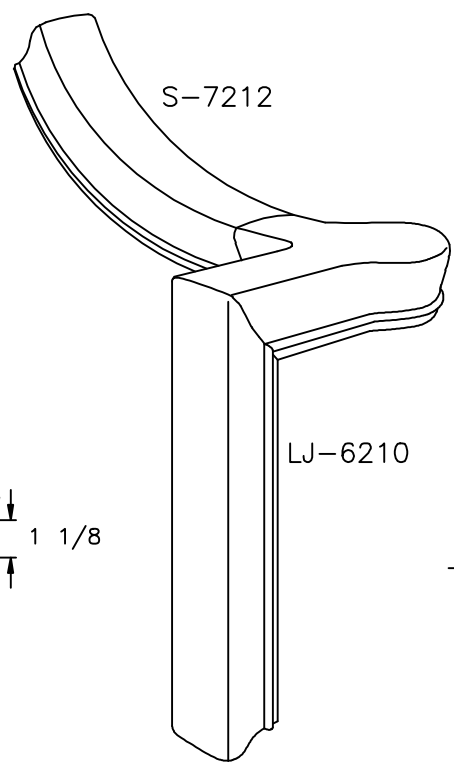
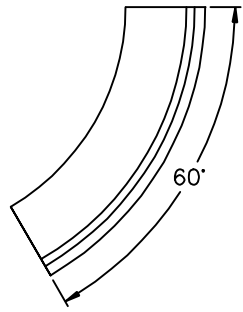
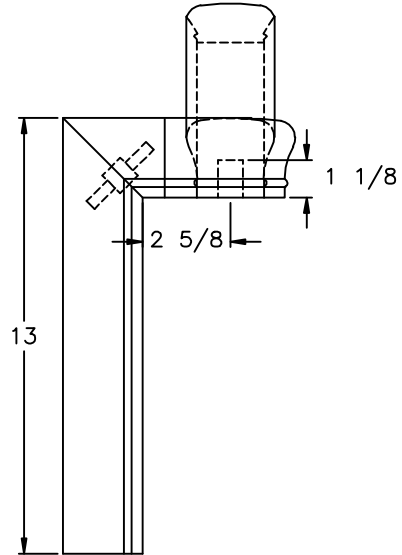
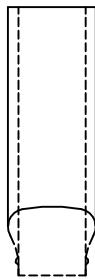
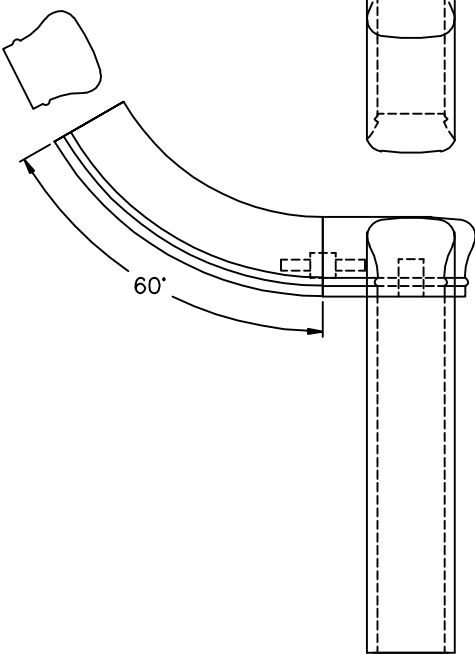
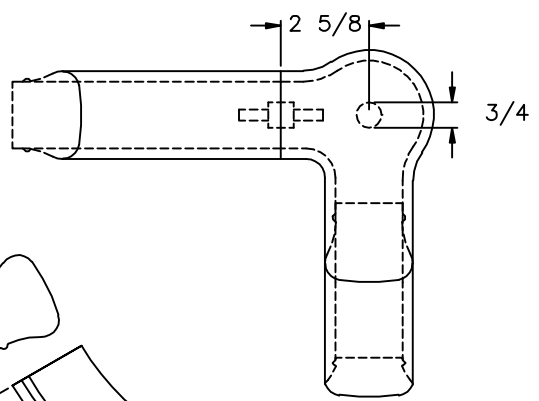
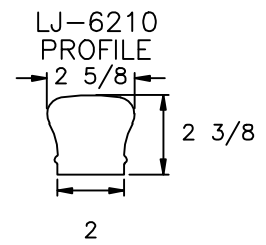


LJ  
02




LJ-6210



S-7212  
UNATTACHED



 35280 Scio-Bowerston Road Bowerston, OH 44695-9731 Phone (740) 269-4111 FAX (740) 269-9047 This drawing is the property of L.J. Smith Co. Do not use or copy without permission from L.J. Smith.		
Drawing Name		
S-7260		
Date	Scale	Drawn By
05/13/2002	DO NOT SCALE	EDH
File Name	DESTROY PREVIOUS PRINTS	
S7260	SALES	