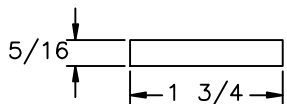
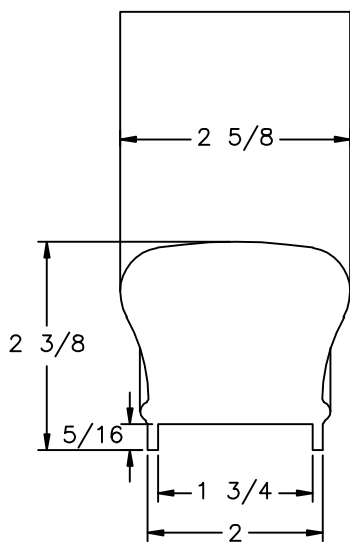
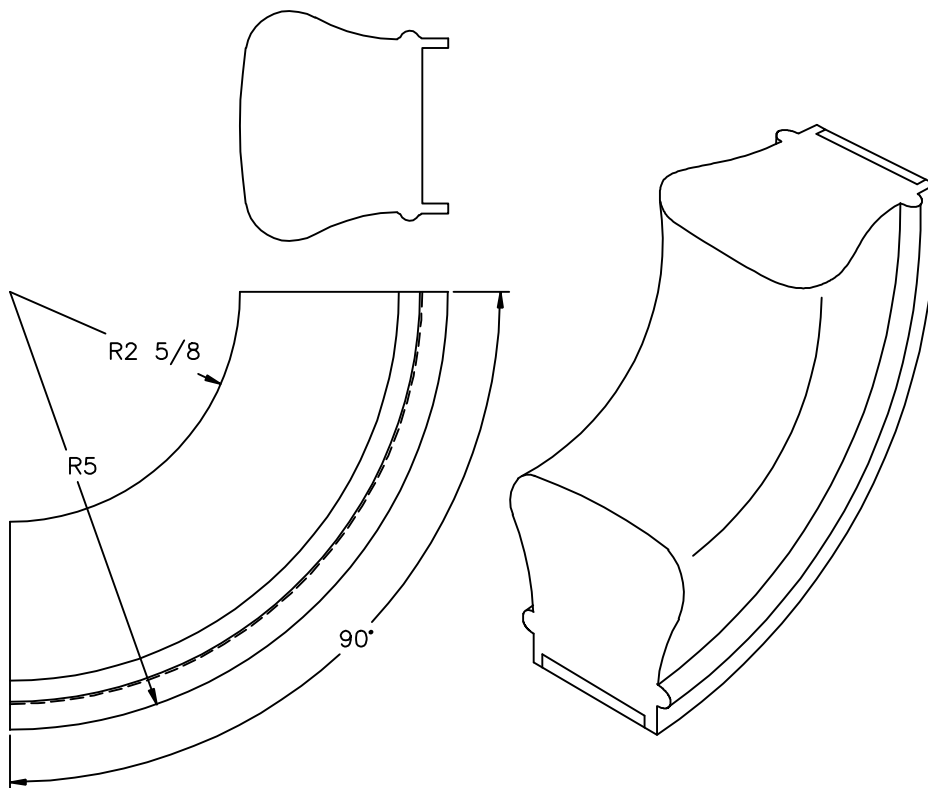



LJ-6210 PROFILE



LJ-1014 FILLET



NOTE: PLOW IS 1 3/4 WIDE BY 1/8 DEEP.

 <p>35280 Scio-Bowerston Road Bowerston, OH 44695-9731 Phone (740) 269-4111 FAX (740) 269-9047 This drawing is the property of L.J. Smith Co. Do not use or copy without permission from L.J. Smith.</p>		
Drawing Name		
S-7214P		
Date	Scale	Drawn By
03/19/01	DO NOT SCALE	KJP
File Name	DESTROY PREVIOUS PRINTS	
S7214	SALES	