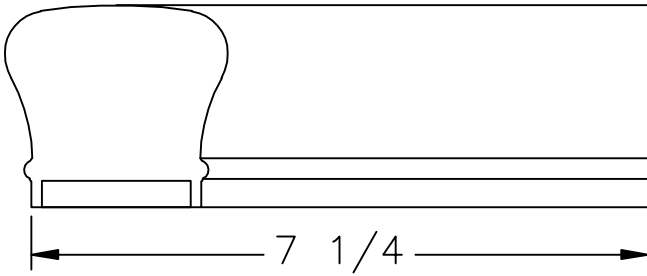
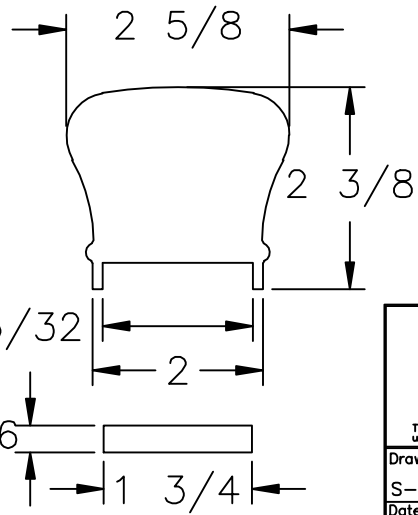



LJ-6210 PROFILE



NOTE: PLOW IS 1 3/4 WIDE BY 3/16 DEEP.

		
<small>35280 Scio-Bowerston Road Bowerston, OH 44695-9731 Phone (740) 289-4111 FAX (740) 289-9047 This drawing is the property of L.J. Smith Co. Do not use or copy without permission from L.J. Smith.</small>		
Drawing Name		
S-7211P		
Date	Scale	Drawn By
05/03/2002	DO NOT SCALE	KJP
File Name		SALES
S7211		8/2/02