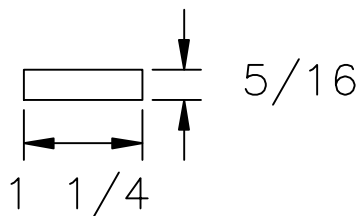
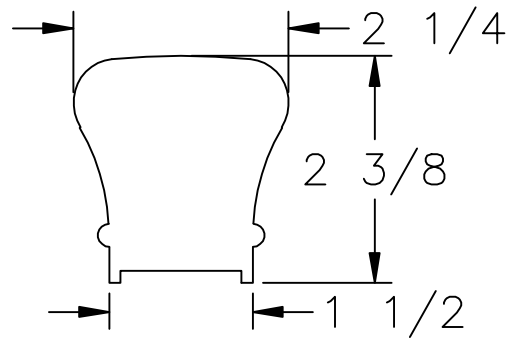
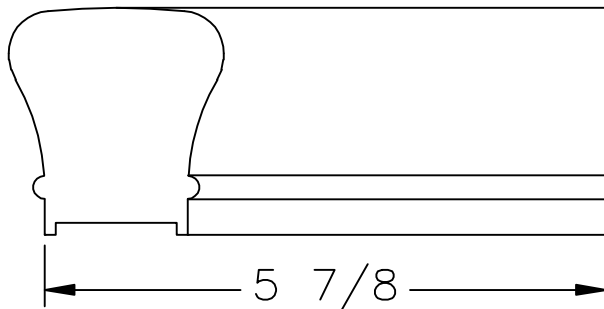



LJ-6010 PROFILE



NOTE: PLOW IS 1 1/4 WIDE BY 1/8 DEEP.

		
35280 Scio-Bowenston Road Bowerston, OH 44695-9731 Phone (740) 268-4111 FAX (740) 268-9047 <small>This drawing is the property of L.J. Smith Co. Do not use or copy without permission from L.J. Smith.</small>		
Drawing Name		
S-7011P		
Date	Scale	Drawn By
03/07/01	DO NOT SCALE	DLJ
File Name		S7011P
S7011		SALES