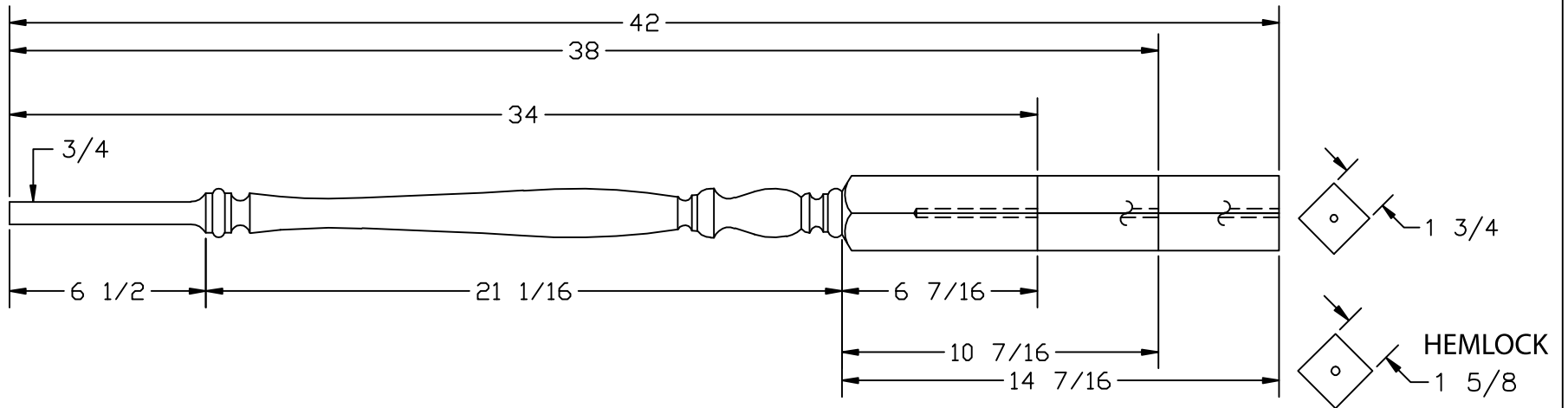


NOTE: SMALLEST DIAMETER = 3/4".



35280 Scio-Bowerston Road
 Bowerston, OH 44695-9731
 Phone (740) 269-4111 FAX (740) 269-9047
 This drawing is the property of L.J. Smith Co. Do not
 use or copy without permission from L.J. Smith.

Drawing Name			
LJ-2915			
Date	Scale	VEND	CL
04/14/2005	DO NOT SCALE		D.L.J.
File Name DESTROY PREVIOUS PRINTS LJ2915			
LJ2915		SALES	