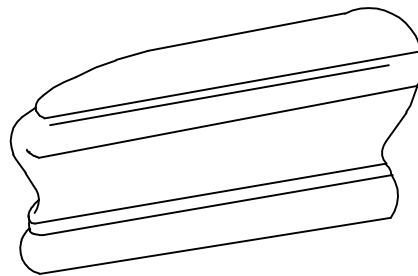
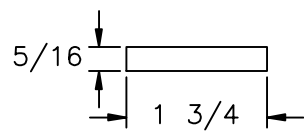
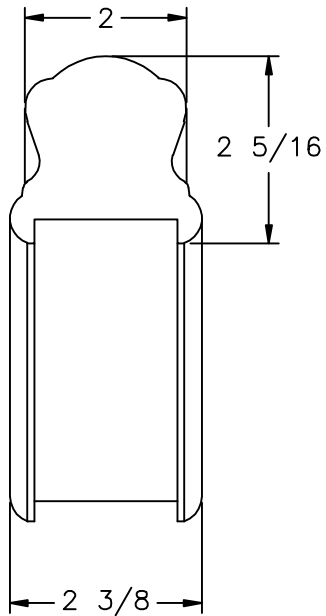
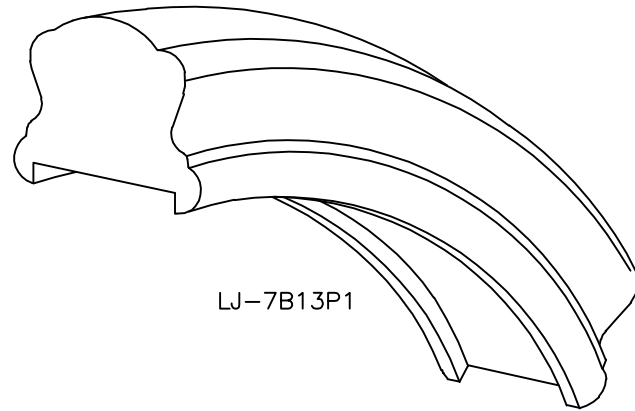



LJ-6B10 PROFILE



LJ-7B09
UNATTACHED



LJ-7B13P1

		
35280 Scio-Bowenston Road Bowerston, OH 44695-9731 Phone (740) 269-4111 FAX (740) 269-9047 <small>This drawing is the property of L.J. Smith Co. Do not use or copy without permission from L.J. Smith.</small>		
Drawing Name		
LJ-7B16P1		
Date	Scale	Drawn By
04/15/10	DO NOT SCALE	BRR
File Name DESTROY PREVIOUS PRINTS		
LJ7B16		