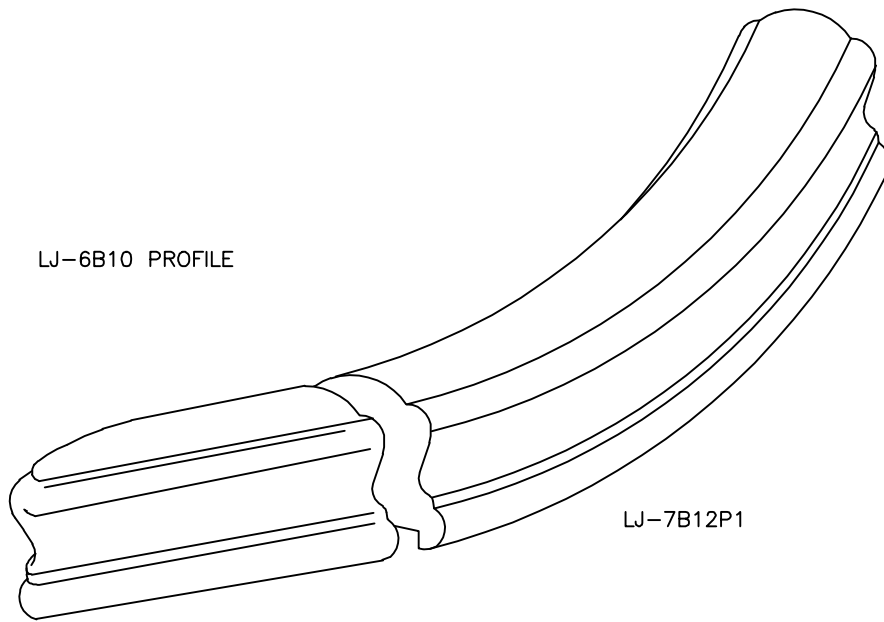



LJ-6B10 PROFILE



LJ-7B12P1

LJ-7B09
UNATTACHED

CONNECT-A-KIT PATENT NO. 5,261,201

 35280 Scio-Bowerston Road Bowerston, OH 44695-9731 Phone (740) 269-4111 FAX (740) 269-9047 <small>This drawing is the property of L.J. Smith Co. Do not use or copy without permission from L.J. Smith.</small>		
Drawing Name		
LJ-7B15P1		
Date	Scale	Drawn By
10/05/2004	DO NOT SCALE	EDH
File Name DESTROY PREVIOUS PRINTS		
LJ7B15		