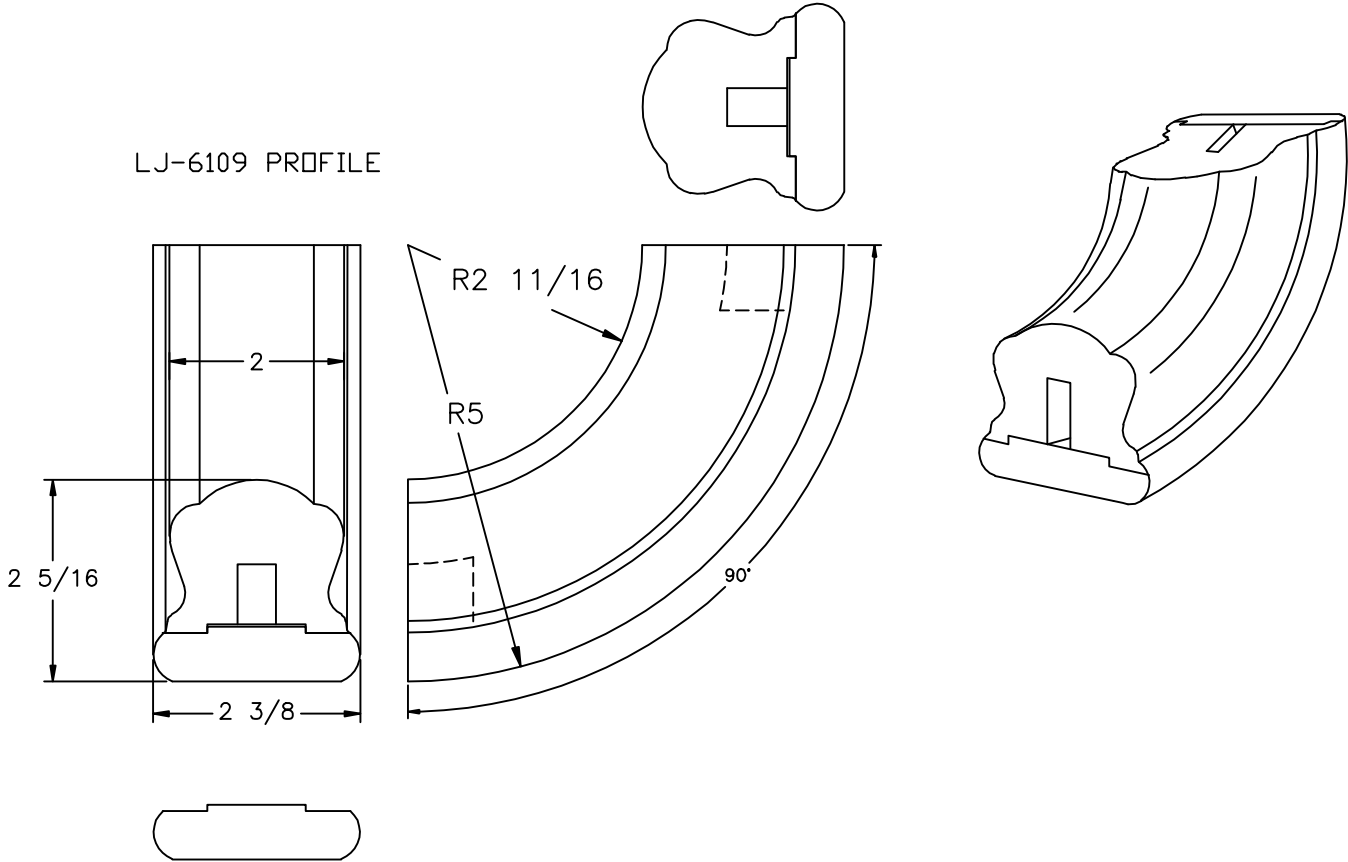



LJ-6109 PROFILE



CONECT-A-KIT PATENT NO. 5,261,201

 <p><b>L.J. Smith</b> <b>Stair Systems</b></p> <p>35280 Scio-Bowerston Road Bowerston, OH 44695-9731 Phone (740) 269-4111 FAX (740) 269-9047 <small>This drawing is the property of L.J. Smith Co. Do not use or copy without permission from L.J. Smith.</small></p>		
Drawing Name		
LJ-7B14SB		
Date	Scale	Drawn By
10/05/2004	DO NOT SCALE	EDH
File Name	DESTROY PREVIOUS PRINTS	
LJ7B14	SALES	