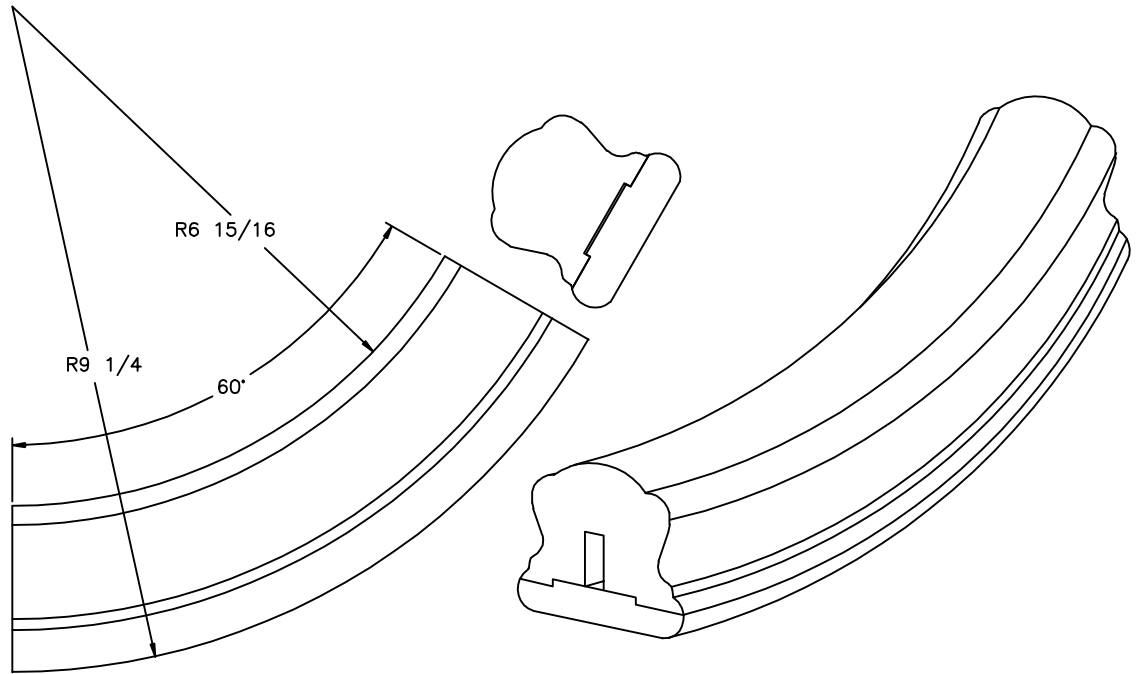
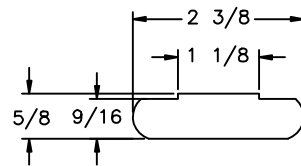
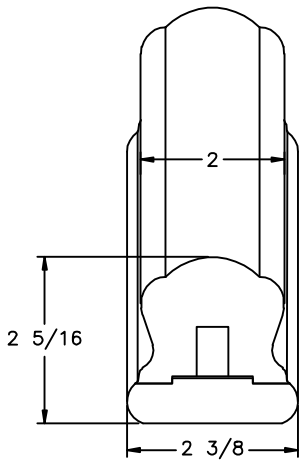



LJ-6B10 PROFILE



CONNECT-A-KIT PATENT NO. 5,261,201

 <p>L.J. Smith <i>Stair Systems</i></p> <p>35280 Scio-Bowerston Road Bowerston, OH 44695-9731 Phone (740) 269-4111 FAX (740) 269-9047 <small>This drawing is the property of L.J. Smith Co. Do not use or copy without permission from L.J. Smith.</small></p>			
Drawing Name			
LJ-7B12SB			
Date	Scale	VEND	Drawn By
10/05/2004	DO NOT SCALE		EDH
File Name			DESTROY PREVIOUS PRINTS
LJ7B12			SALES