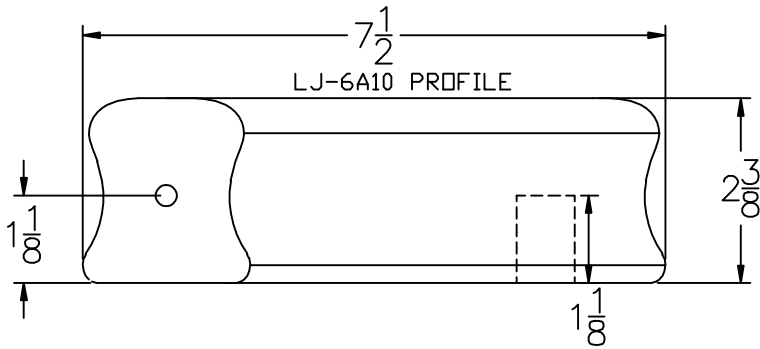



MEASURE SMALLEST DIMENSION FROM SIDES OF HOLE TO BOTH SIDES OF PART. THE DIFFERENCE BETWEEN MEASUREMENTS SHOULD NOT BE MORE THAN 0.040".



 35280 Scio-Bowenston Road Bowerston, OH 44685-9731 Phone (740) 269-4111 FAX (740) 269-9047 <small>This drawing is the property of L.J. Smith Co. Do not use or copy without permission from L.J. Smith.</small>			
Drawing Name			
7A40TRN			
Date	Scale	VEND	Drawn By
04/14/10	DO NOT SCALE	BRR	
File Name			SALES
DESTROY PREVIOUS PRINTS			
LJ7A40			