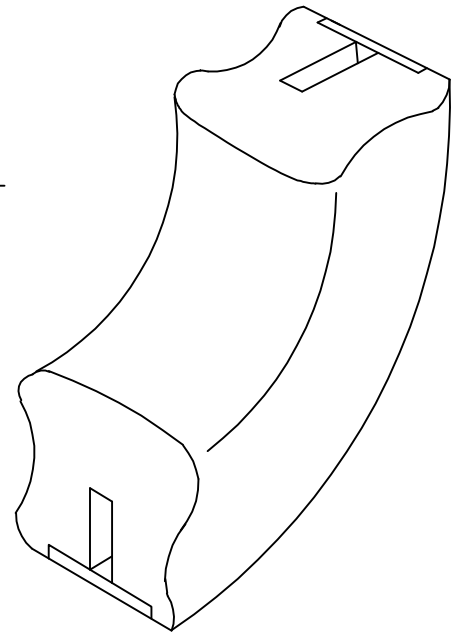
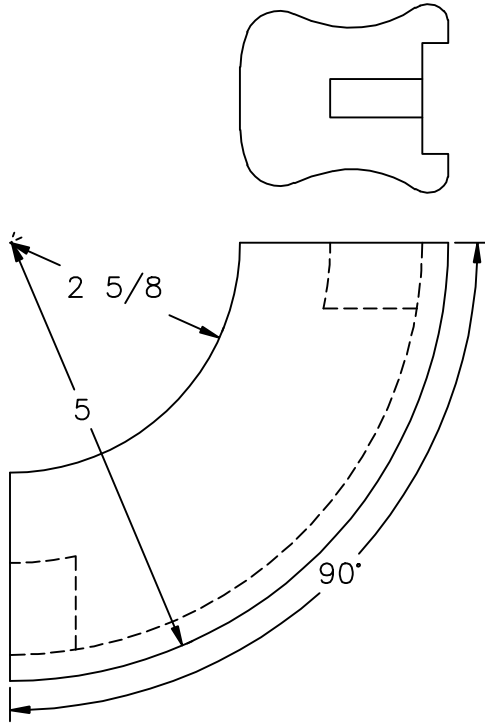
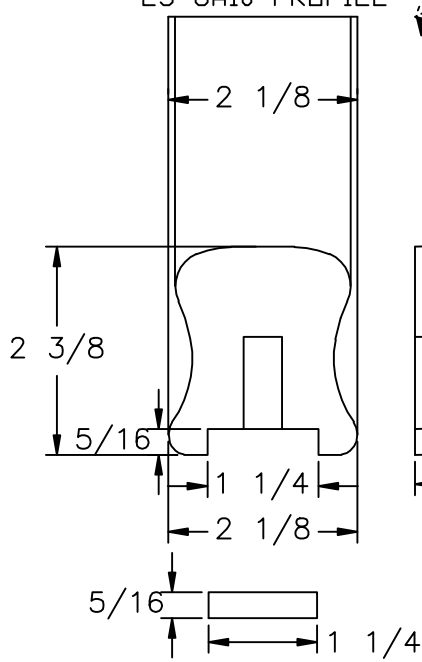



LJ-6A10 PROFILE



LJ-1014F FILLET

CONECT-A-KIT PATENT NO. 5,261,201

 <p>L.J. Smith Stair Systems</p> <p>35280 Scio-Bowerston Road Bowerston, OH 44695-9731 Phone (740) 269-4111 Fax (740) 269-9047 This drawing is the property of L.J. Smith Co. Do not use or copy without permission from L.J. Smith.</p>		
Drawing Name		
LJ-7A14PO		
Date	Scale	Drawn By
04/12/2004	DO NOT SCALE	EDH
File Name	LJ7A14 SALES	