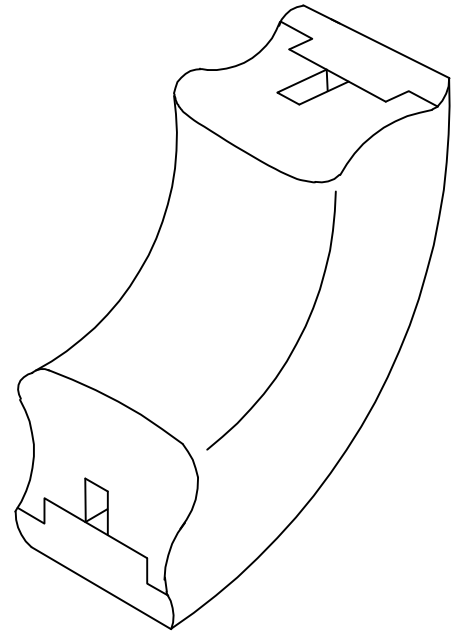
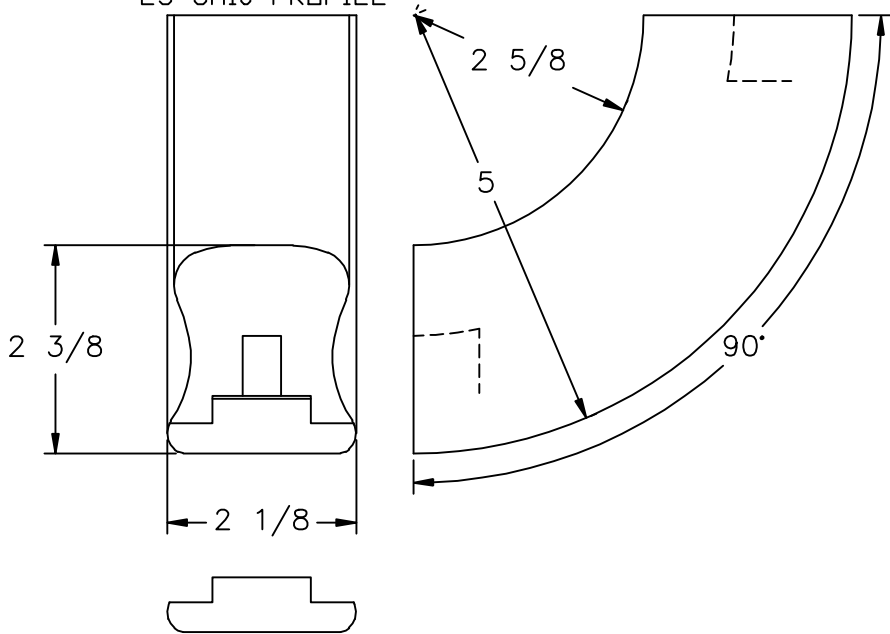



LJ-6A10 PROFILE



CONNECT-A-KIT PATENT NO. 5,261,201

 35280 Scio-Bowenston Road Bowenston, OH 44695-9731 Phone (740) 269-4111 FAX (740) 269-9047 <small>This drawing is the property of L.J. Smith Co. Do not use or copy without permission from L.J. Smith.</small>		
Drawing Name		
LJ-7A14SB		
Date	Scale	Drawn By
04/12/2004	DO NOT SCALE	EDH
File Name	DESTROY PREVIOUS PRINTS	
LJ7A14	SALES	