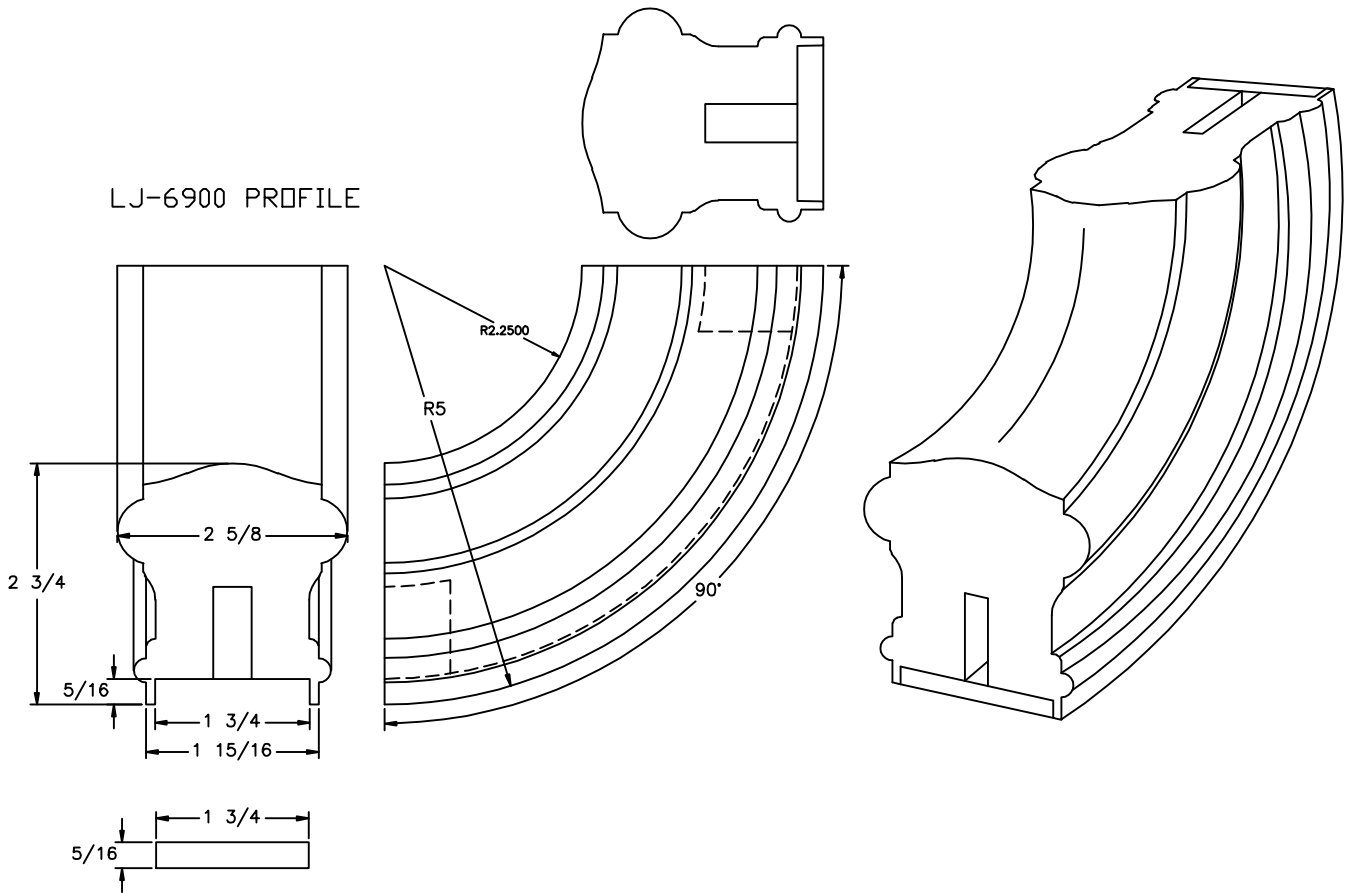



LJ-6900 PROFILE



LJ-1214F FILLET

CONNECT-A-KIT PATENT NO. 5,261,201

 <p>L.J. Smith <i>Stair Systems</i></p> <p>35280 Scio-Bowerston Road Bowerston, OH 44695-9731 Phone (740) 269-4111 FAX (740) 269-9047 <small>This drawing is the property of L.J. Smith Co. Do not use or copy without permission from L.J. Smith.</small></p>		
Drawing Name		
LJ-7914P		
Date	Scale	Drawn By
03/19/01	DO NOT SCALE	KJP
File Name	DESTROY PREVIOUS PRINTS	
LJ7914	SALES	