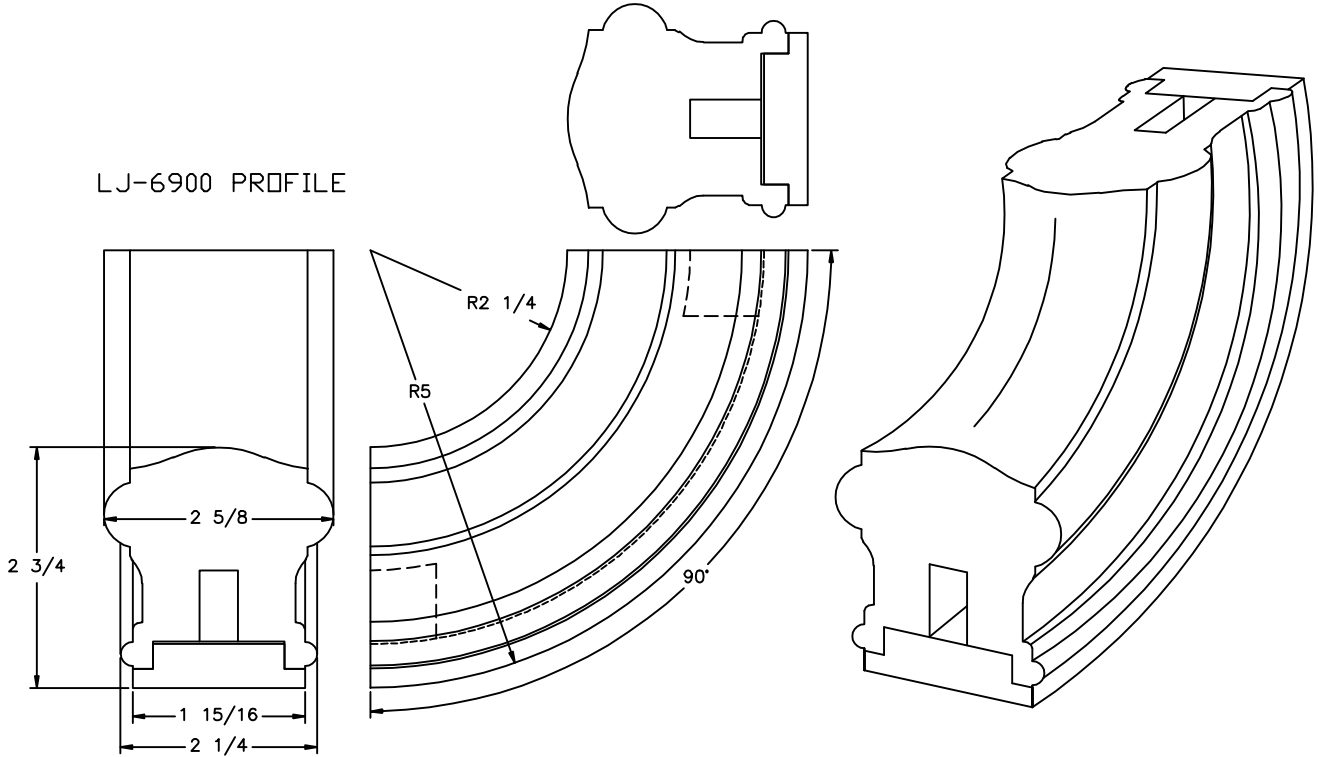



LJ-6900 PROFILE



CONNECT-A-KIT PATENT NO. 5,261,201

 L.J. Smith Stair Systems			
<small>35280 Scio-Bowen Road Sowerston, OH 44695-9731 Phone (740) 289-4111 FAX (740) 289-9047</small>			
<small>This drawing is the property of L.J. Smith Co. Do not use or copy without permission from L.J. Smith.</small>			
Drawing Name			
LJ-7914SB			
Date	Scale	VEND	Drawn By
03/19/01	DO NOT SCALE		KJP
File Name DESTROY PREVIOUS PRINTS			DATE
LJ7914			SALES