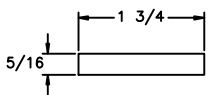
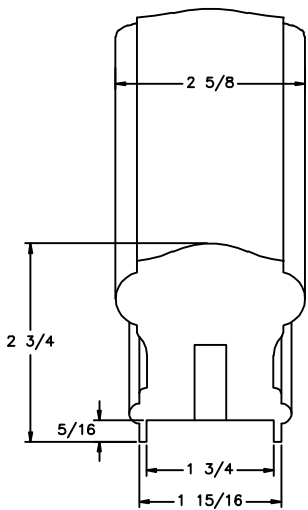
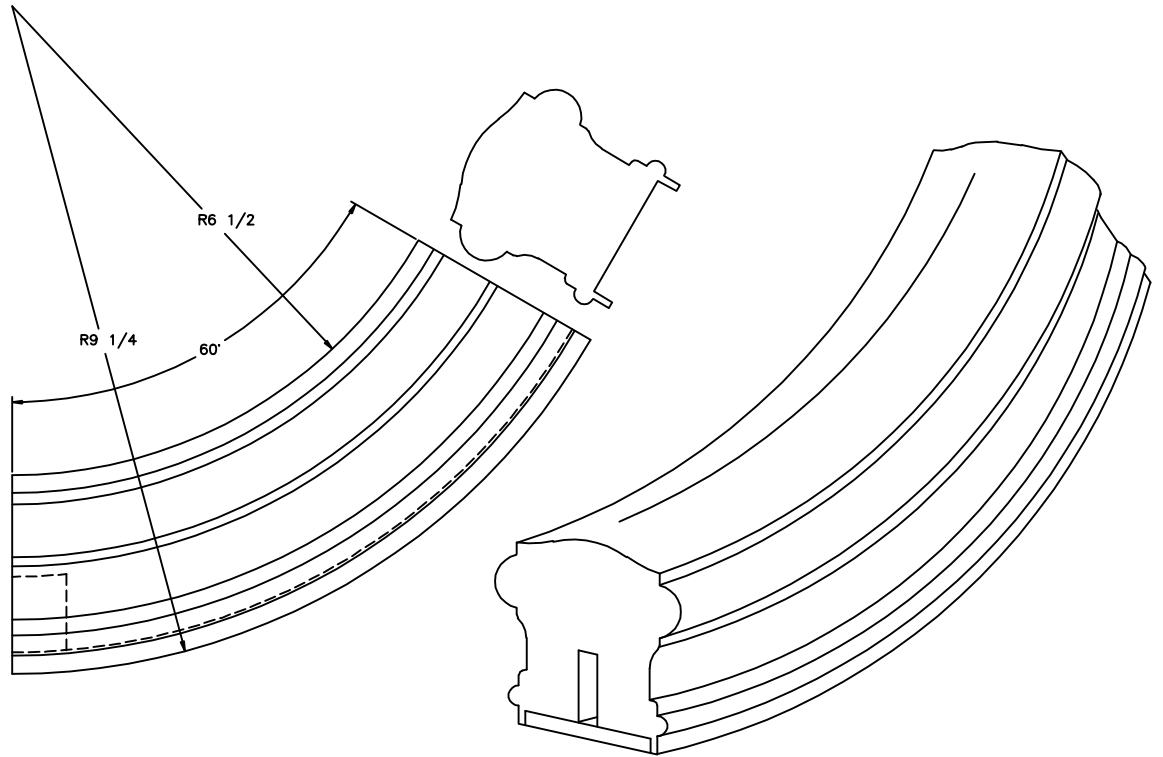



LJ-6900 PROFILE



LJ-1212F FILLET

CONECT-A-KIT PATENT NO. 5,261,201



 L.J. Smith Stair Systems		
<small>35280 Scio-Bowenston Road Bowerston, OH 44695-2731 Phone (740) 269-4111 FAX (740) 269-9047 This drawing is the property of L.J. Smith Co. Do not use or copy without permission from L.J. Smith.</small>		
Drawing Name		
LJ-7912P		
Date	Scale	Drawn By
03/19/01	DO NOT SCALE	KJP
File Name	DESTROY PREVIOUS PRINTS	
LJ7912	SALES	