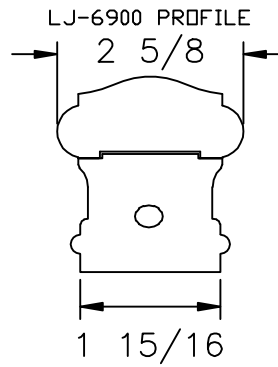
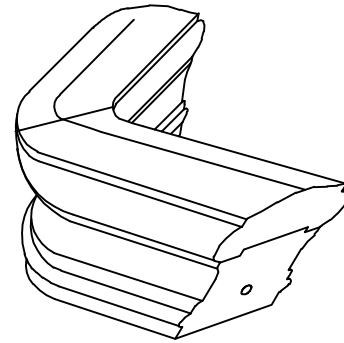



CONNECT-A-KIT PATENT NO. 5,261,201



 35280 Scio-Boweston Road Bowerston, OH 44695-9731 Phone (740) 269-4111 Fax (740) 269-9047 <small>This drawing is the property of L.J. Smith Co. Do not use or copy without permission from L.J. Smith.</small>		
Drawing Name		
LJ-7911-135		
Date	Scale	Drawn By
6/30/2003	DO NOT SCALE	DLJ
File Name DESTROY PREVIOUS PRINTS		
LJ7911	SALES	