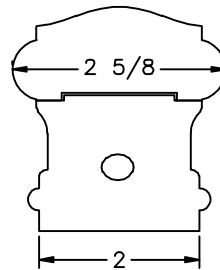
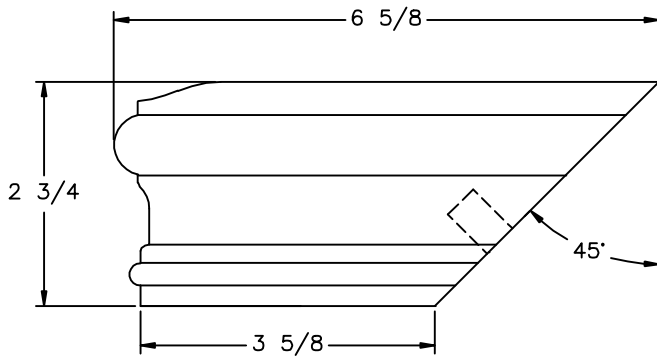



LJ-6601 PROFILE



CONNECT-A-KIT PATENT NO. 5,261,201

 35280 Scio-Boweston Road Bowerston, OH 44695-9731 Phone (740) 289-4111 Fax (740) 289-9047 <small>This drawing is the property of L.J. Smith Co. Do not use or copy without permission from L.J. Smith.</small>		
Drawing Name		
LJ-7909		
Date	Scale	Drawn By
1/7/99	DO NOT SCALE	KJP
File Name	DESTROY PREVIOUS PRINTS	
LJ7909	SALES	