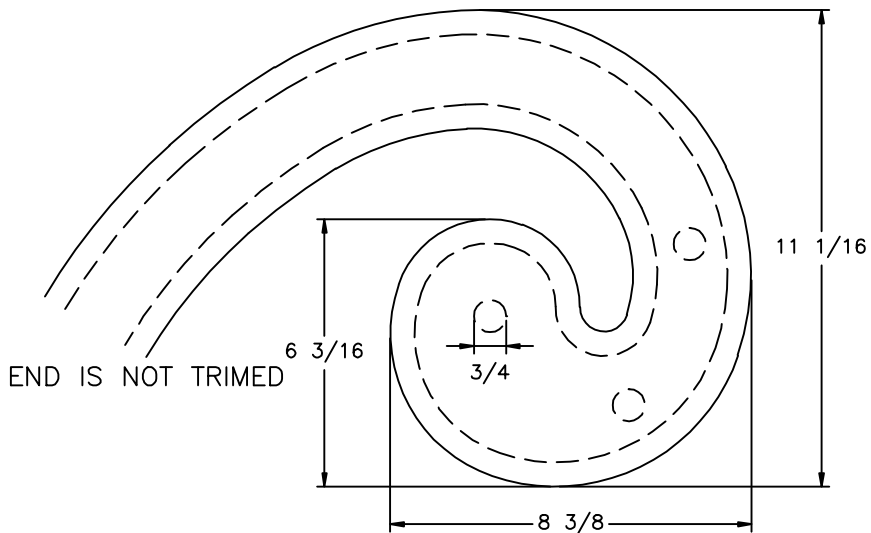
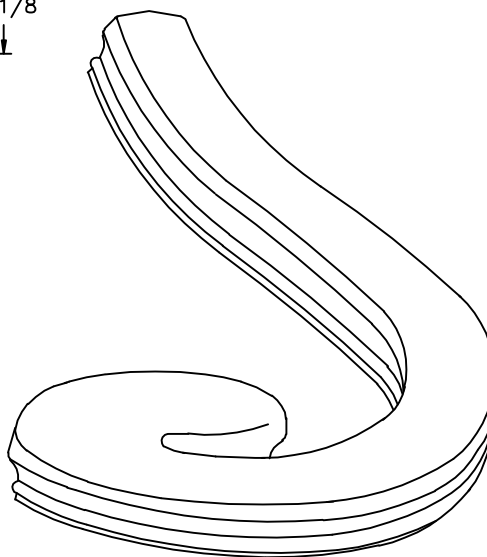
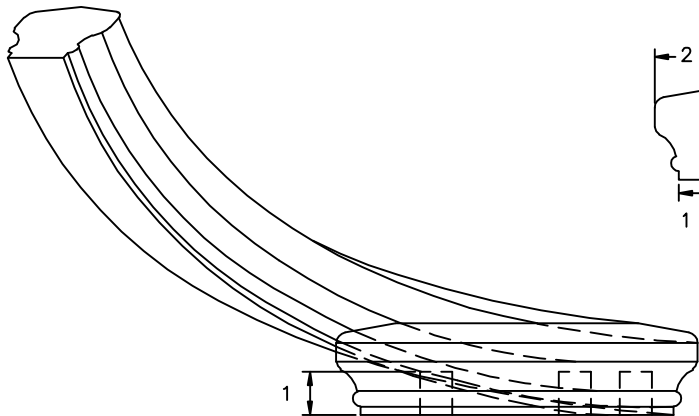
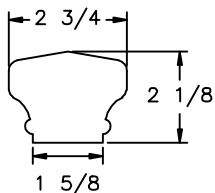



LJ-6701  
PROFILE



NOTE: DISTANCE FROM CENTER OF NEWEL HOLE TO CENTER OF RAIL VARIES CONTINUOUSLY ALONG THE LENGTH OF THE VOLUTE.

 <p>35280 Scio-Boweston Road Boweston, OH 44695-8731 Phone (740) 269-4111 FAX (740) 269-9047 This drawing is the property of L.J. Smith Co. Do not use or copy without permission from L.J. Smith.</p>		
Drawing Name		
LJ-7731		
Date	Scale	Drawn By
02/20/2007	DO NOT SCALE	EDH
File Name		DESTROY PREVIOUS PRINTS
LJ7731		SALES