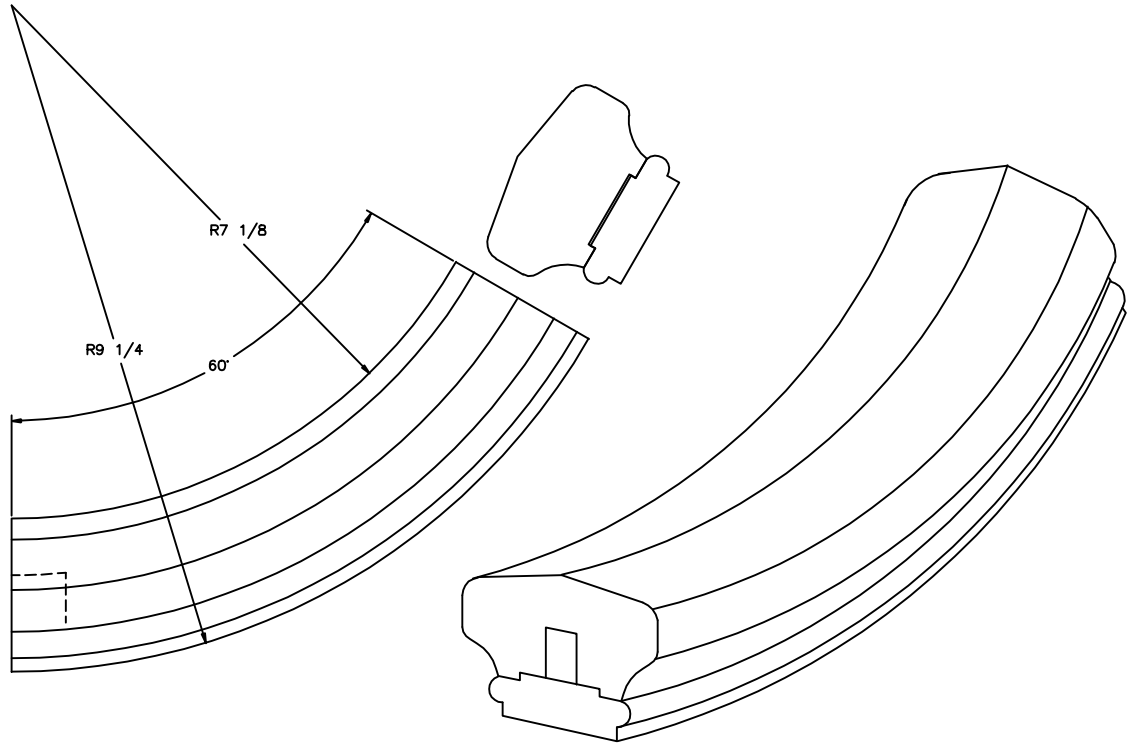
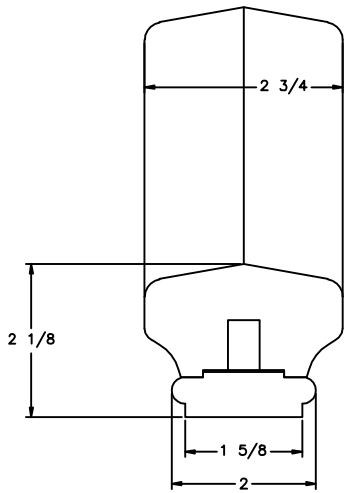



LJ-6701 PROFILE



CONNECT-A-KIT PATENT NO. 5,261,201

 L.J. Smith <i>Stair Systems</i>		
<small>35280 Scio-Bowerston Road Bowerston, OH 44695-9731 Phone (740) 269-4111 Fax (740) 269-9047 This drawing is the property of L.J. Smith Co. Do not use or copy without permission from L.J. Smith.</small>		
Drawing Name		
LJ-7712SB		
Date	Scale	VEND
02/06/01	DO NOT SCALE	Drawn By
File Name	LJ7712	
DESTROY PREVIOUS PRINTS	SALES	