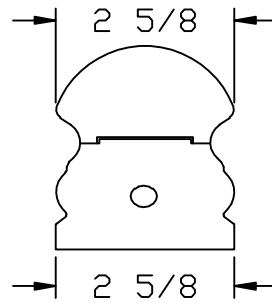
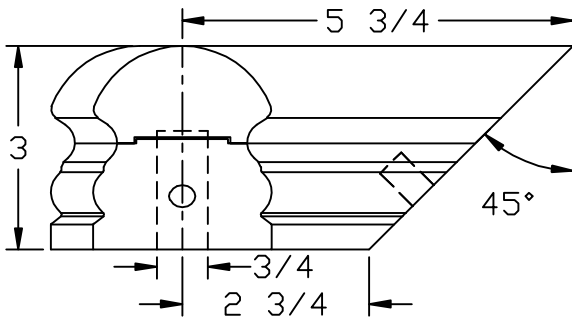



LJ-6519 PROFILE



CONNECT-A-KIT PATENT NO. 5,261,201

 L.J. Smith Stair Systems			
<small>35280 Scio-Boweston Road Bowerston, OH 44695-9731 Phone (740) 269-4111 Fax (740) 269-9047 This drawing is the property of L.J. Smith Co. Do not use or copy without permission from L.J. Smith.</small>			
Drawing Name			
LJ-7521			
Date	Scale	VEND	Drawn By
11/25/2002	DO NOT SCALE		DLJ
File Name DESTROY PREVIOUS PRINTS			
LJ7521	SALES		