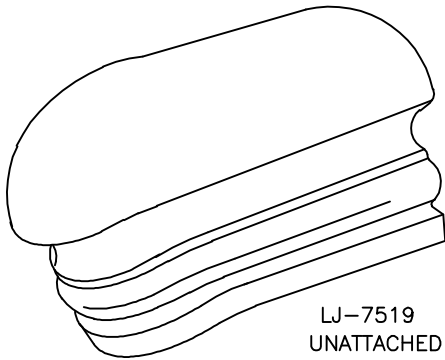
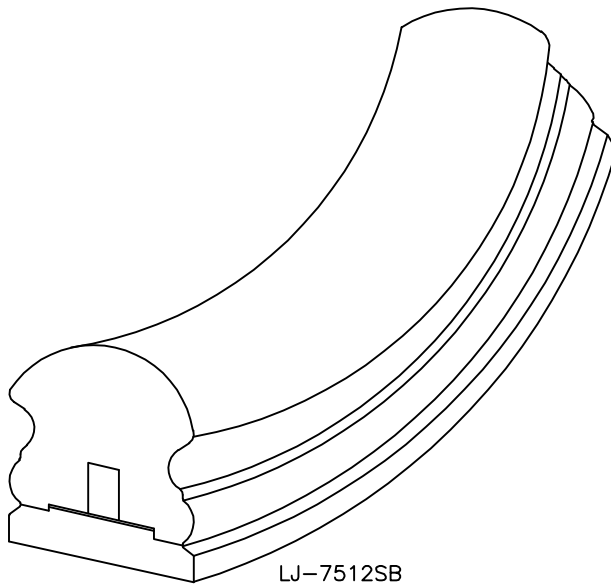


LJ-6519 PROFILE




LJ-7519
UNATTACHED



LJ-7512SB

CONNECT-A-KIT PATENT NO. 5,261,201

 35280 Scio-Bowerston Road Bowerston, OH 44695-9731 Phone (740) 269-4111 FAX (740) 269-9047 <small>This drawing is the property of L.J. Smith Co. Do not use or copy without permission from L.J. Smith.</small>		
Drawing Name		
LJ-7510SB		
Date	Scale	VEND
1/5/00	DO NOT SCALE	EDH
File Name	DESTROY PREVIOUS PRINTS	
LJ7510SB	SALES	