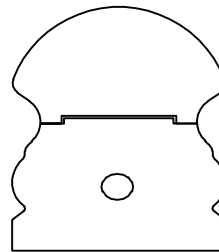
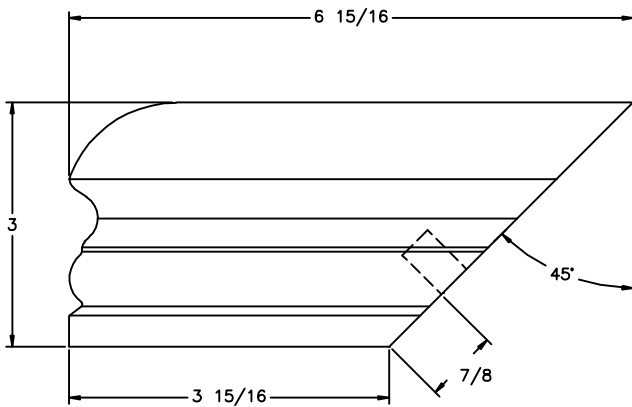



LJ-6519 PROFILE



CONECT-A-KIT PATENT NO. 5,261,201

			
<small>35280 Scio-Bowerston Road Bowerston, OH 44695-9731 Phone (740) 269-4111 FAX (740) 269-9047 This drawing is the property of L.J. Smith Co. Do not use or copy without permission from L.J. Smith.</small>			
Drawing Name			
LJ-7509			
Date	Scale	VEND	Drawn By
12/31/98	DO NOT SCALE		KJP
File Name	DESTROY PREVIOUS PRINTS		LJ7509
LJ7509	SALES		12/31/98