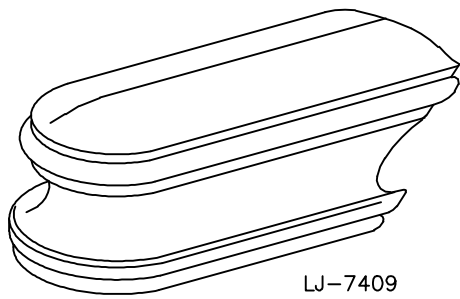
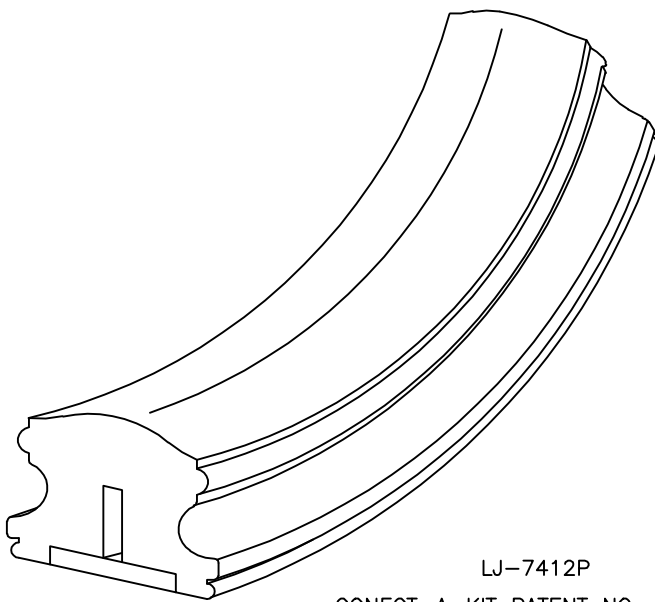



LJ-6400 PROFILE



LJ-7409  
UNATTACHED



LJ-7412P  
CONNECT-A-KIT PATENT NO. 5,261,201

 35280 Scio-Bowerton Road Bowerton, OH 44695-9731 Phone (740) 269-4111 FAX (740) 269-9047 <small>This drawing is the property of L.J. Smith Co. Do not use or copy without permission from L.J. Smith.</small>		
Drawing Name		
LJ-7415P		
Date	Scale	Drawn By
2/16/99	DO NOT SCALE	KJP
File Name	DESTROY PREVIOUS PRINTS	
LJ7415	SALES	