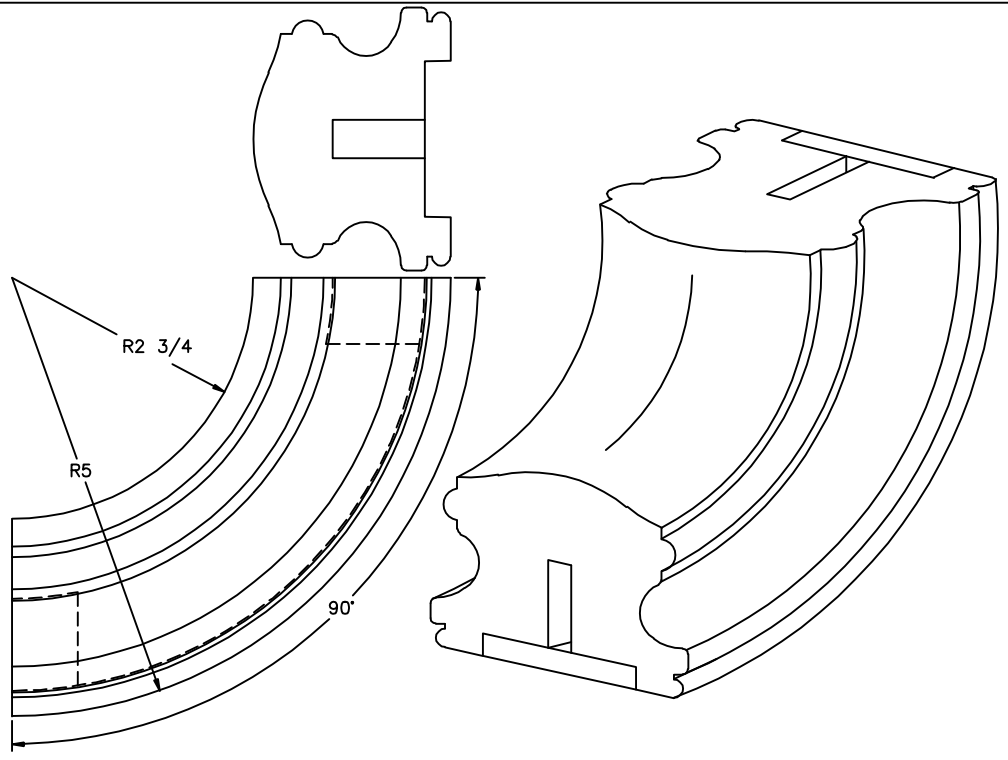
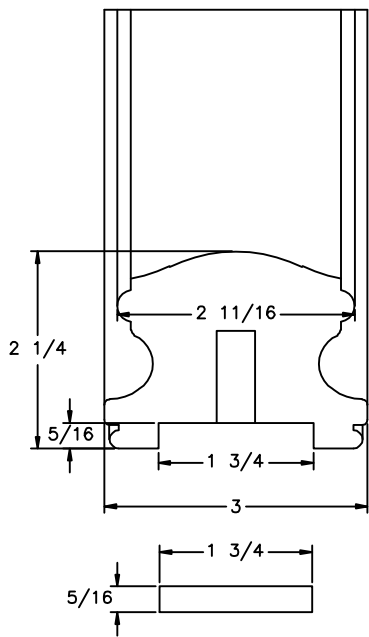



LJ-6400 PROFILE



LJ-1014F FILLET

CONNECT-A-KIT PATENT NO. 5,261,201

 <p><b>L.J. Smith</b> <b>Stair Systems</b></p> <p>35280 Scio-Bowerston Road Bowerston, OH 44695-9731 Phone (740) 289-4111 Fax (740) 289-9047 <small>This drawing is the property of L.J. Smith Co. Do not use or copy without permission from L.J. Smith.</small></p>		
Drawing Name		
LJ-7414P		
Date	Scale	Drawn By
03/16/01	DO NOT SCALE	KJP
File Name	DESTROY PREVIOUS PRINTS	
LJ7014	SALES	