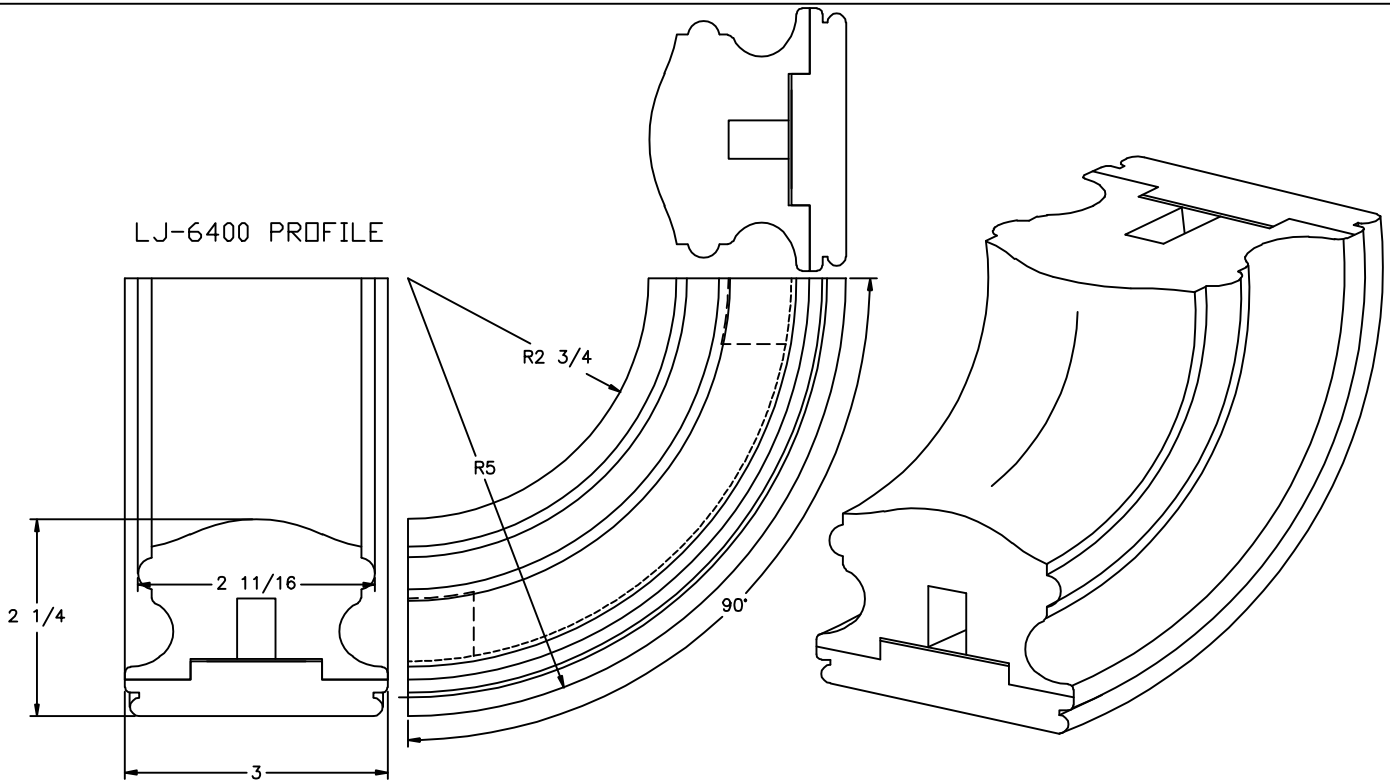



LJ-6400 PROFILE



CONECT-A-KIT PATENT NO. 5,261,201

 <p>L.J. Smith Stair Systems</p> <p>35280 Solo-Bowerston Road Bowerston, OH 44695-2731 Phone (740) 269-4111 FAX (740) 269-9047 <small>This drawing is the property of L.J. Smith Co. Do not use or copy without permission from L.J. Smith.</small></p>		
Drawing Name		
LJ-7414SB		
Date	Scale	Drawn By
03/16/01	DO NOT SCALE	KJP
File Name		DATE
DESTROY PREVIOUS PRINTS		2/2/01
LJ7414		SALES