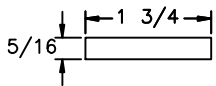
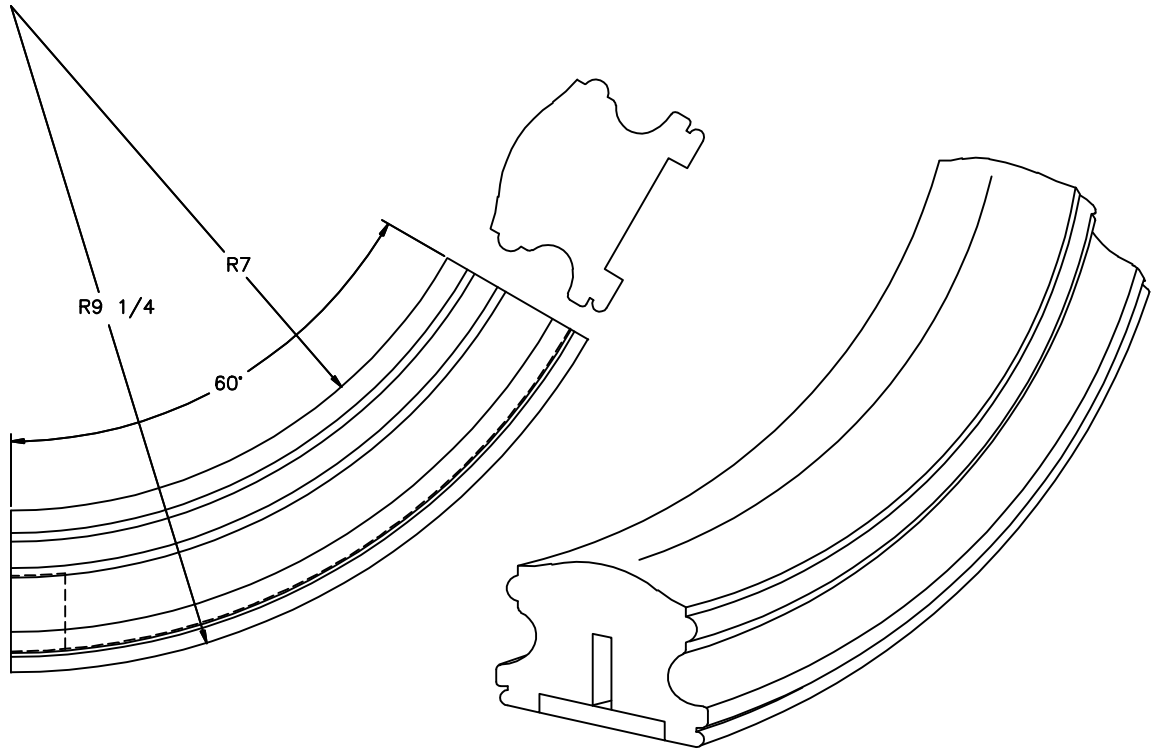
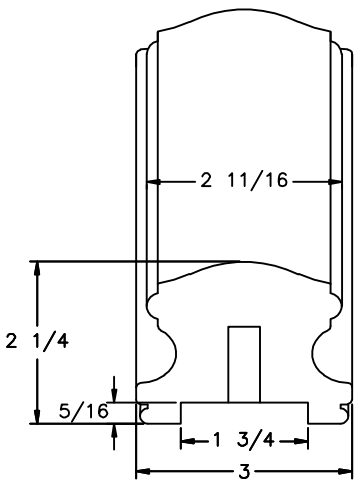



LJ-6400 PROFILE



LJ-1012F FILLET

CONNECT-A-KIT PATENT NO. 5,261,201

 L.J. Smith Stair Systems			
35280 Scio-Bowerston Road Sowerston, OH 44695-8731 Phone (740) 268-4111 FAX (740) 268-9047 <small>This drawing is the property of L.J. Smith Co. Do not use or copy without permission from L.J. Smith.</small>			
Drawing Name			
LJ-7412P			
Date	Scale	VEND	Drawn By
03/16/01	DO NOT SCALE		KJP
File Name	DESTROY PREVIOUS PRINTS		
LJ7412	SALES		