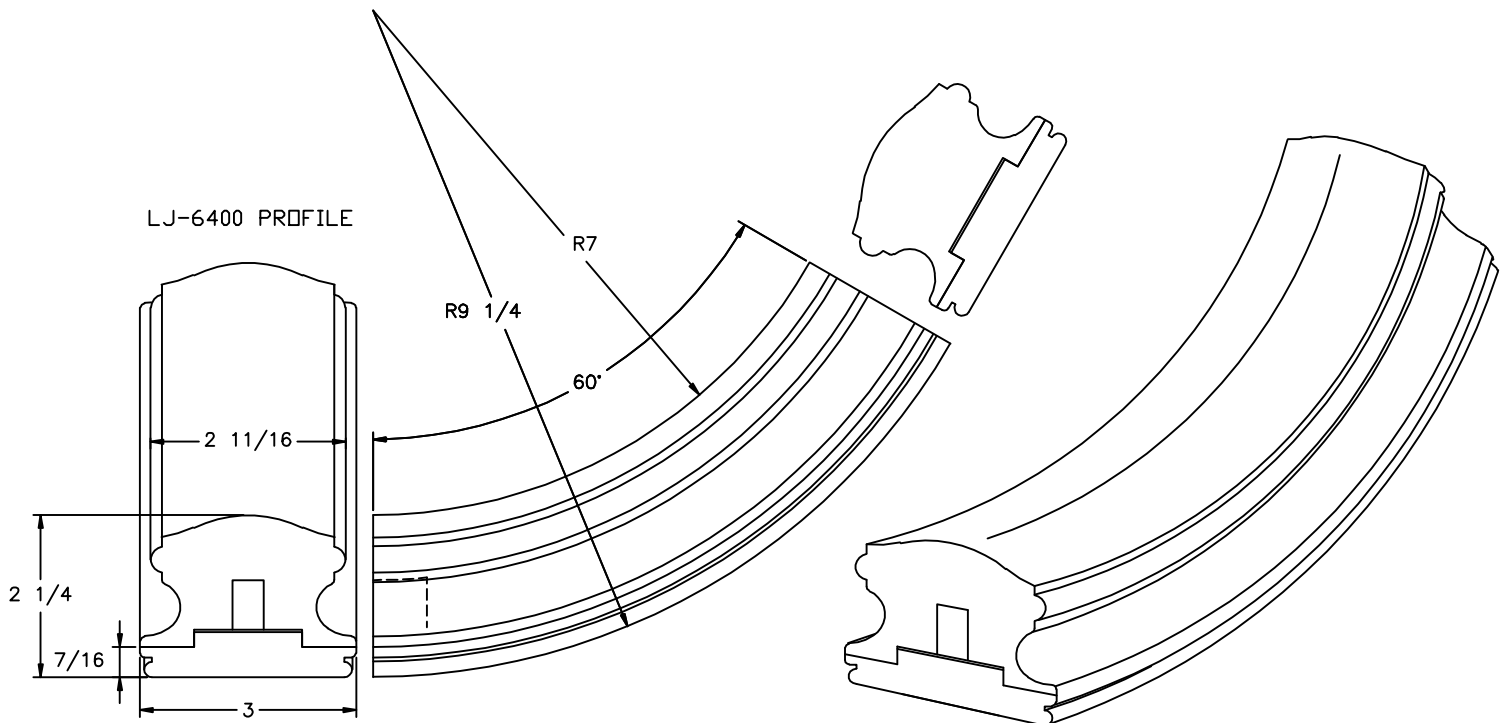



LJ-6400 PROFILE



CONECT-A-KIT PATENT NO. 5,261,201

 <b>L.J. Smith</b> <i>Stair Systems</i>			
35280 Scio-Bowerston Road Bowerston, OH 44695-9751			
Phone (740) 269-4111 FAX (740) 269-9047			
This drawing is the property of L.J. Smith Co. Do not use or copy without permission from L.J. Smith.			
Drawing Name			
LJ-7412SB			
Date	Scale	VEND	Drawn By
02/02/01	DO NOT SCALE		KJP
File Name DESTROY PREVIOUS PRINTS			SALES
LJ7412			