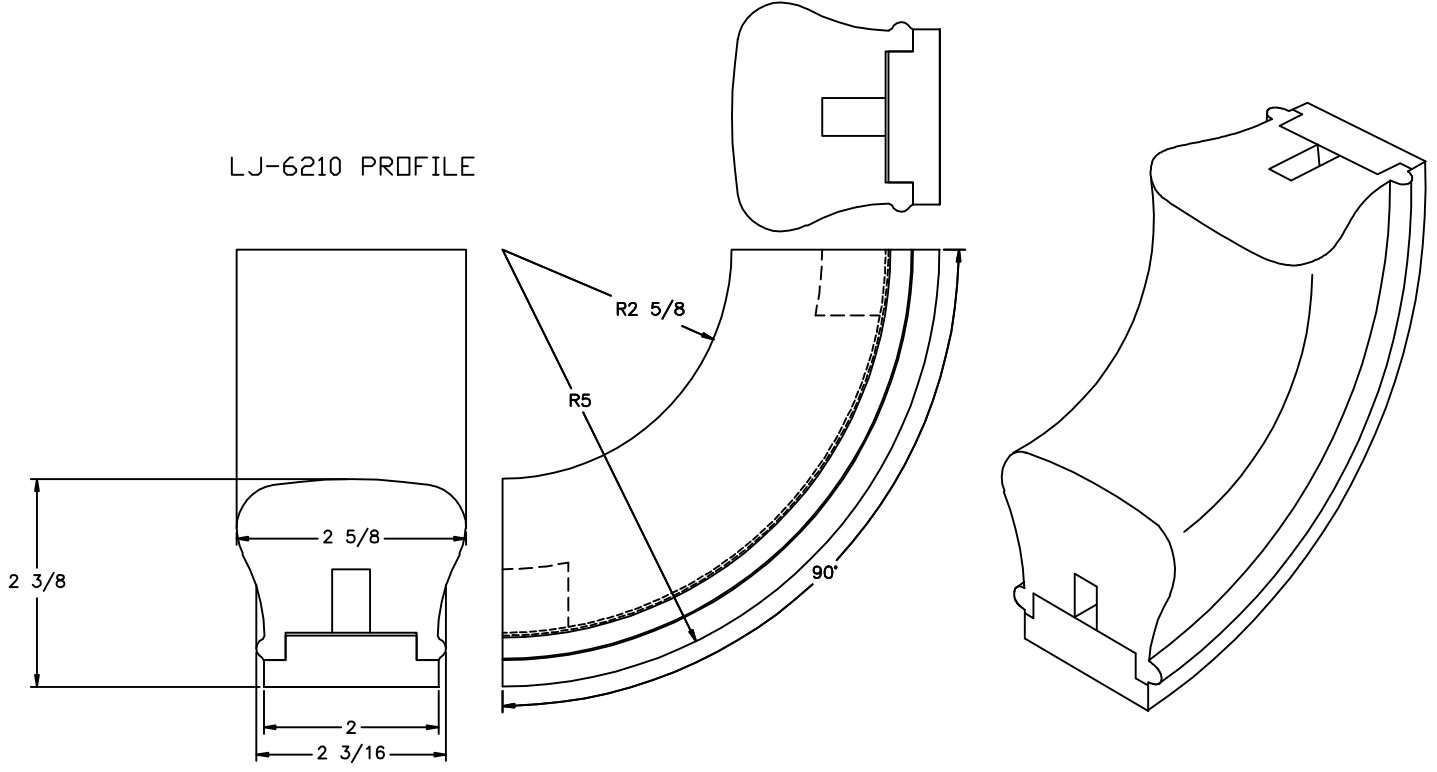



LJ-6210 PROFILE



CONNECT-A-KIT PATENT NO. 5,261,201

 <p><b>L.J. Smith</b> <i>Stair Systems</i></p>		
<p>35280 Solo-Bowenston Road Bowenston, OH 44695-9731 Phone (740) 269-4111 FAX (740) 269-9047 <small>This drawing is the property of L.J. Smith Co. Do not use or copy without permission from L.J. Smith.</small></p>		
Drawing Name		
LJ-7214SB		
Date	Scale	VEND
03/16/01	DO NOT SCALE	KJP
File Name	DESTROY PREVIOUS PRINTS	
LJ7214	SALES	