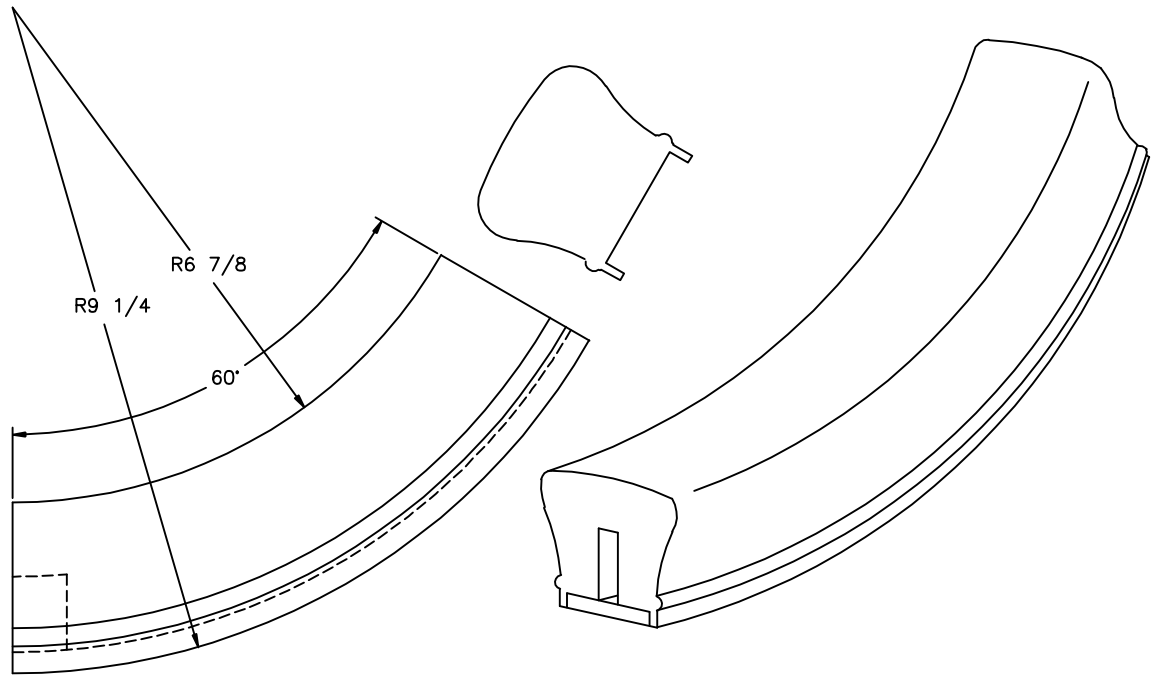



CONECT-A-KIT PATENT NO. 5,261,201



 <p>L.J. Smith <i>Stair Systems</i></p>		
<p>35280 Scio-Bowerston Road Bowerston, OH 44695-9731 Phone (740) 269-4111 Fax (740) 269-9047 This drawing is the property of L.J. Smith Co. Do not use or copy without permission from L.J. Smith.</p>		
Drawing Name		
LJ-7212P		
Date	Scale	VEND
03/16/01	DO NOT SCALE	Drawn By
File Name	DESTROY PREVIOUS PRINTS	LJ7212
	SALES	