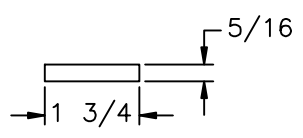
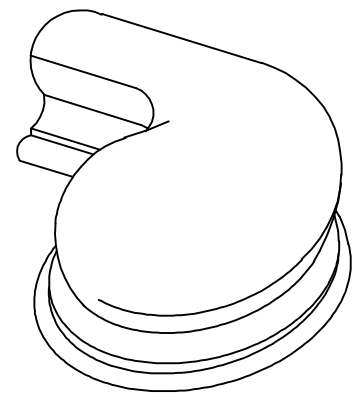
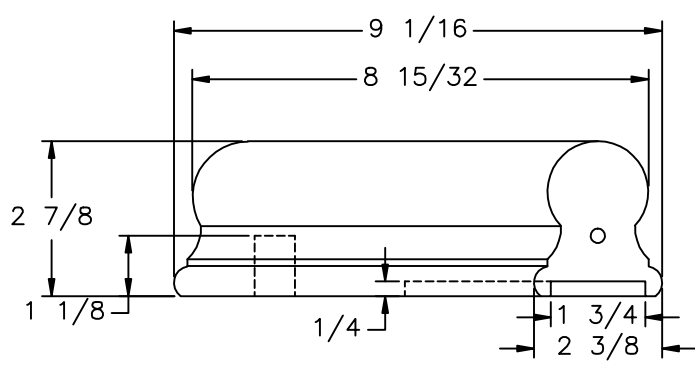
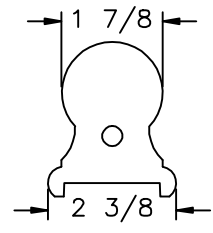



LJ-6109P1 PROFILE



| | | |
|--|-------------------------|----------|
|  35280 Scio-Bowenston Road Gowerson, OH 44695-5731 Phone (740) 269-4111 FAX (740) 269-9047 <small>This drawing is the property of L.J. Smith Co. Do not use or copy without permission from L.J. Smith.</small> | | |
| Drawing Name | | |
| LJ-7140P1 | | |
| Date | Scale | Drawn By |
| 05/19/2004 | DO NOT SCALE | KJP |
| File Name | DESTROY PREVIOUS PRINTS | SALES |
| LJ7140 | | |