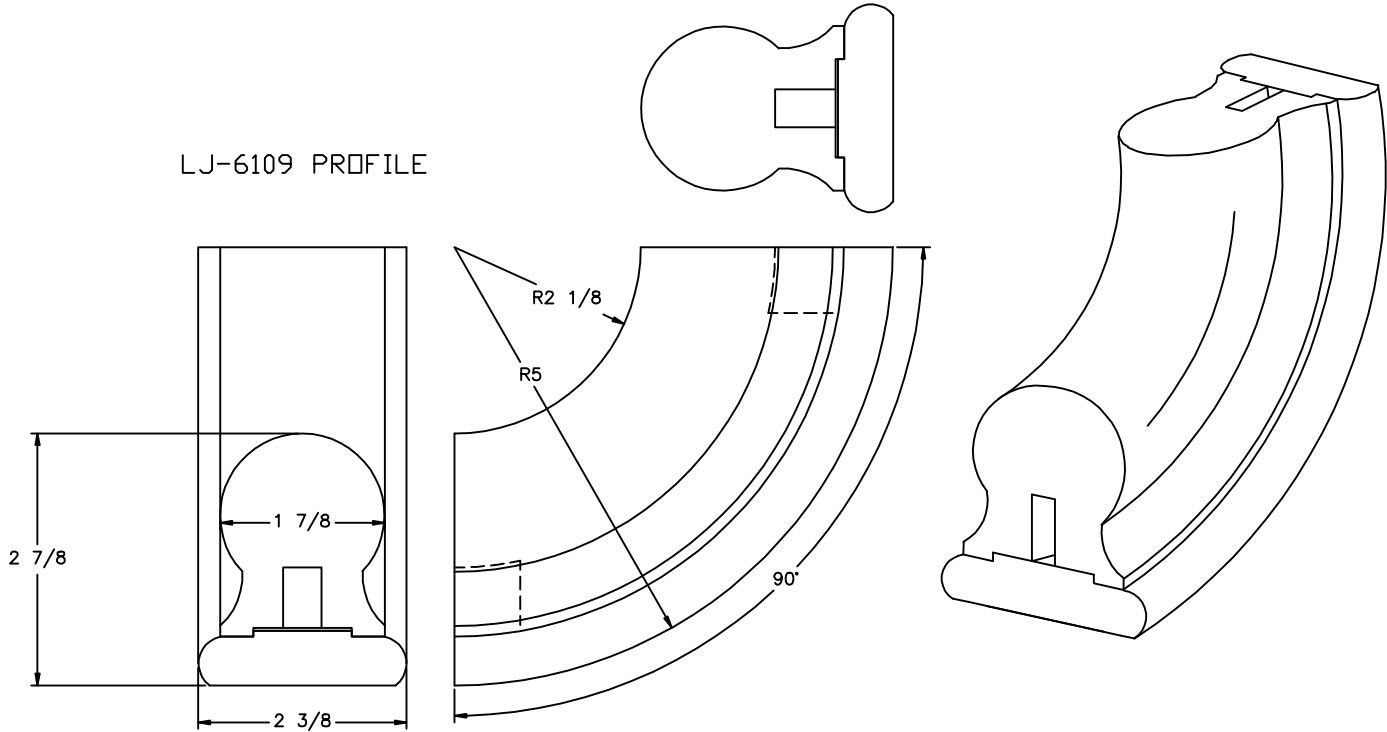



LJ-6109 PROFILE



CONECT-A-KIT PATENT NO. 5,261,201

 <p>L.J. Smith <i>Stair Systems</i></p> <p>35280 Scio-Bowenston Road Bowenston, OH 44695-9731 Phone (740) 288-4111 Fax (740) 288-9047 <small>This drawing is the property of L.J. Smith Co. Do not use or copy without permission from L.J. Smith.</small></p>		
Drawing Name		
LJ-7114SB		
Date	Scale	Drawn By
03/16/01	DO NOT SCALE	KJP
File Name	DESTROY PREVIOUS PRINTS	
LJ7114	SALES	