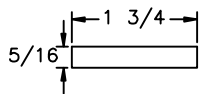
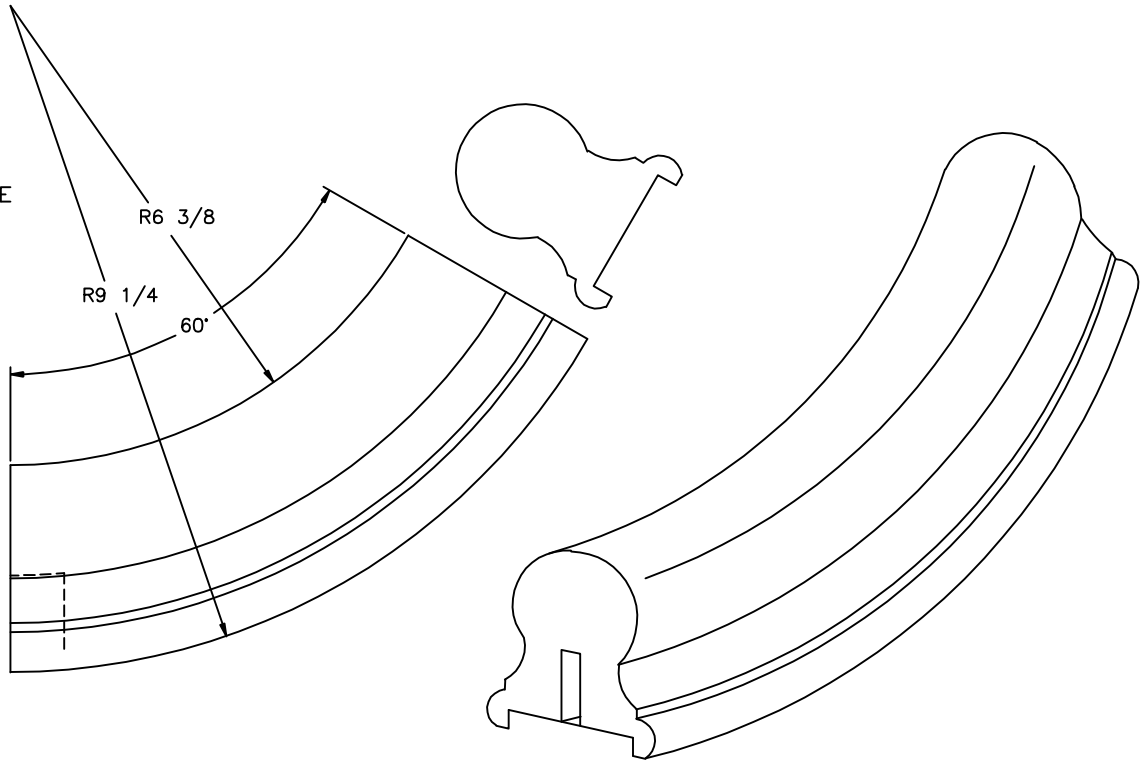
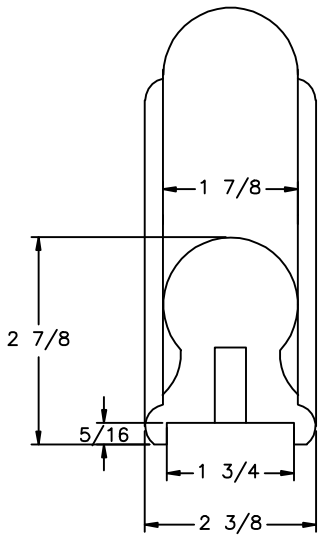



LJ-6109P1 PROFILE



LJ-1212F FILLET

CONECT-A-KIT PATENT NO. 5,261,201

| | | |
|--|-------------------------|----------|
|  L.J. Smith <i>Stair Systems</i> | | |
| 35280 Scio-Bowerston Road Bowerston, OH 44695-9731 Phone (740) 288-4111 FAX (740) 288-9047 <small>This drawing is the property of L.J. Smith Co. Do not use or copy without permission from L.J. Smith.</small> | | |
| Drawing Name | | |
| LJ-7112P1 | | |
| Date | Scale | Drawn By |
| 03/16/01 | DO NOT SCALE | KJP |
| File Name | DESTROY PREVIOUS PRINTS | |
| LJ7112 | SALES | |