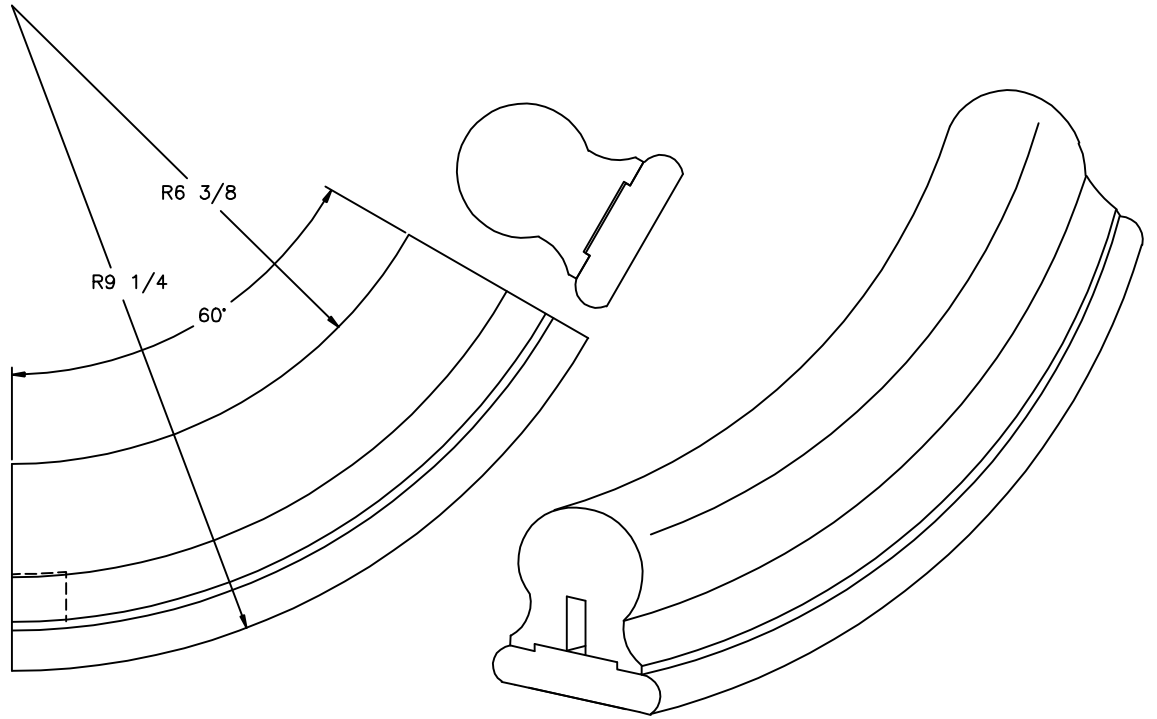
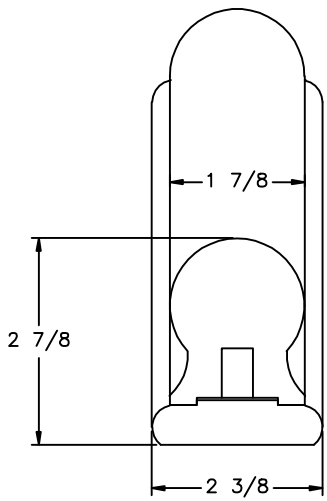



LJ-6109 PROFILE



CONNECT-A-KIT PATENT NO. 5,261,201

 <b>L.J. Smith</b> <i>Stair Systems</i>		
<small>35280 Scio-Bowerston Road          Bowerston, OH 44695-9731          Phone (740) 269-4111 FAX (740) 269-9047          This drawing is the property of L.J. Smith Co. Do not          use or copy without permission from L.J. Smith.</small>		
Drawing Name		
LJ-7112SB		
Date	Scale	Drawn By
02/02/01	DO NOT SCALE	KJP
File Name	DESTROY PREVIOUS PRINTS	
LJ7112	SALES	