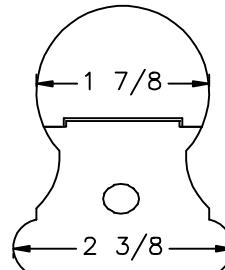
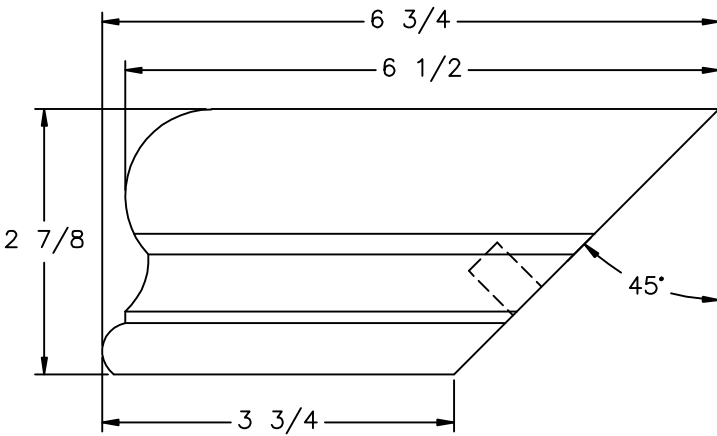



LJ-6109 PROFILE



CONNECT-A-KIT PATENT NO. 5,261,201

 <p>35280 Scio-Bowerston Road Bowerston, OH 44695-9731 Phone (740) 289-4111 FAX (740) 289-9047 This drawing is the property of L.J. Smith Co. Do not use or copy without permission from L.J. Smith.</p>		
Drawing Name		
LJ-7109		
Date	Scale	Drawn By
12/29/98	DO NOT SCALE	KJP
File Name	DESTROY PREVIOUS PRINTS	LJ7109
LJ7109	SALES	