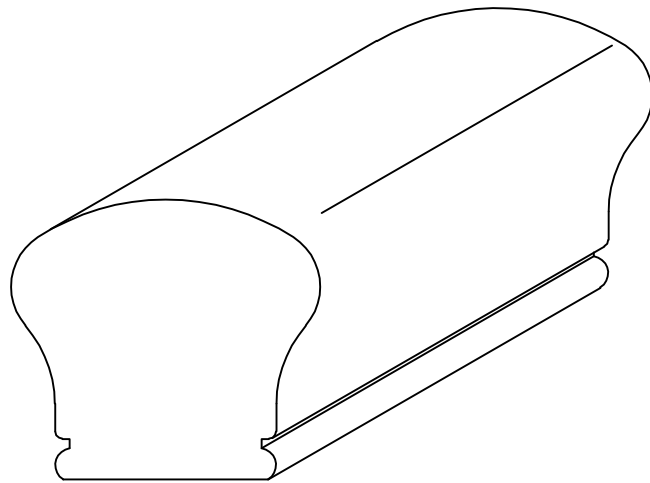
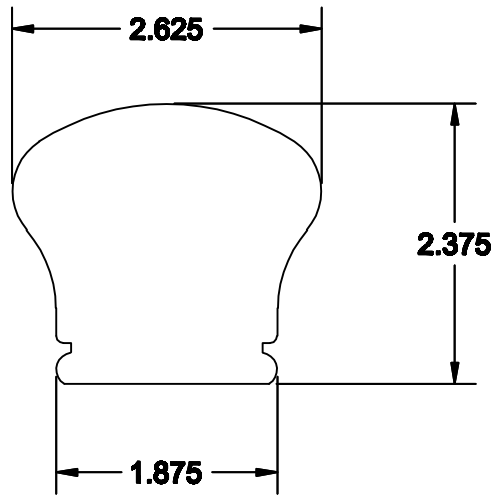
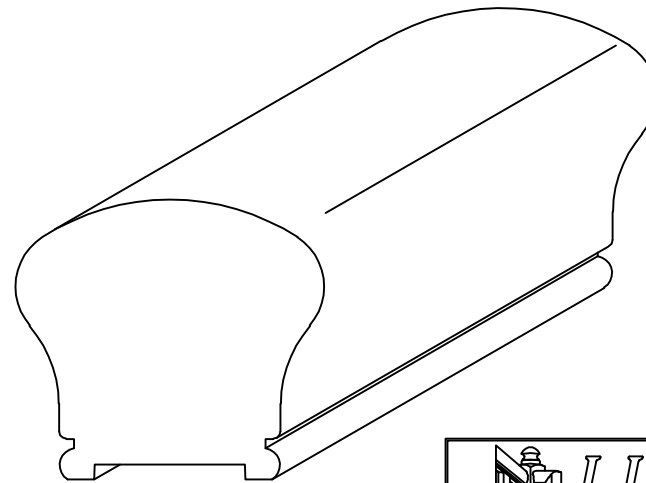
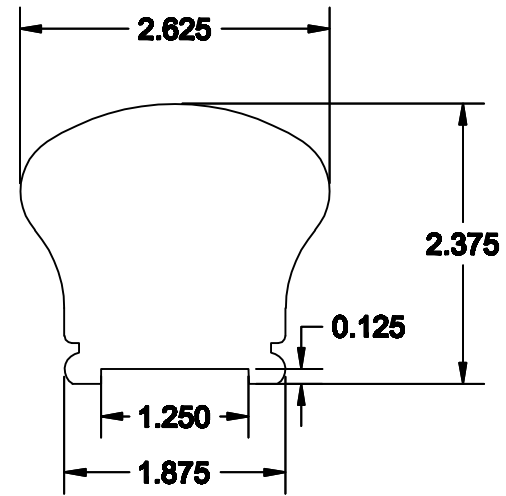


LJ-6W09




NOTE: STANDARD LENGTHS ARE 8', 10', 12', 14', AND 16'.

LJ-6W09P



NOTE: ALL TOLERANCES  $\pm 0.010$  UNLESS NOTED

STOCK  
425 - 4/4 X 2.50 - 3 LAYERS  
S2S 0.833

 <p>35280 Scio-Bowerston Road Bowerston, OH 44695-9731 Phone (740) 269-2221 FAX (740) 269-9047 This drawing is the property of L.J. Smith Co. Do not use or copy without permission from L.J. Smith.</p>		
Drawing Name		
LJ6W09 - LJ6W09P		
Date	Scale	VEND
04/30/2013	DO NOT SCALE	KJP
File Name		
DESTROY PREVIOUS PRINTS		
LJ6009	ENG SHOP	