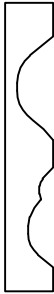
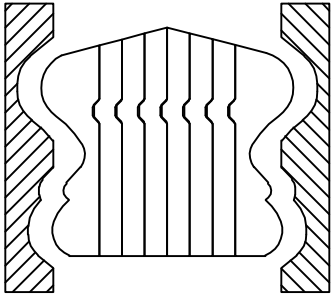
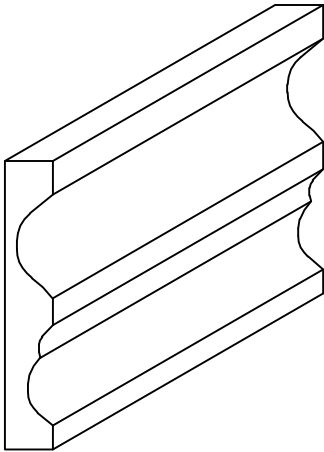


PLASTIC




PINE



NOTE: STANDARD LENGTH IS 8'.

NOTE: MINIMUM BENDING RADIUS IS 36" ON THE RAKE AND 48" ON THE LEVEL.

 <p>35280 Scio-Bowenston Road Bowerston, OH 44695-9731 Phone (740) 269-4111 FAX (740) 269-9047 <small>This drawing is the property of L.J. Smith Co. Do not use or copy without permission from L.J. Smith.</small></p>		
Drawing Name		
LJ6P10BM		
Date	Scale	Drawn By
4/3/2009	DO NOT SCALE	DWH
File Name <input type="checkbox"/> DESTROY PREVIOUS PRINTS		
LJ6P10		