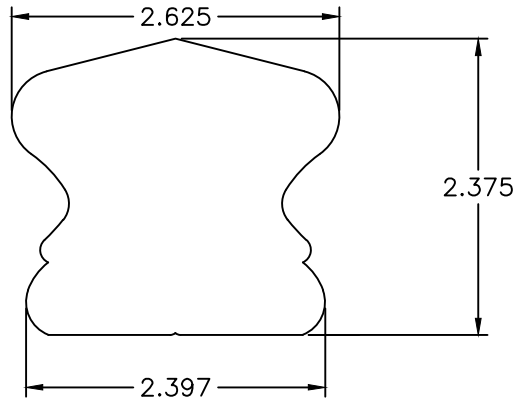


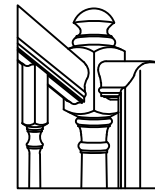
LJ-6P10



LJ-6P10PA

NOTE: ALL TOLERANCES  $\pm$  0.010  
UNLESS NOTED

NOTE: STANDARD LENGTHS ARE  
8', 10', 12', 14', AND 16'.



*L.J. Smith*  
*Stair Systems*

35280 Scio-Bowerston Road  
Bowerston, OH 44695-9731

Phone (740) 269-2221 FAX (740) 269-9047  
This drawing is the property of L.J. Smith Co. Do not  
use or copy without permission from L.J. Smith.

Drawing Name

LJ6P10

Date

12/11/2008

Scale VEND

DO NOT SCALE

Drawn By

DWH

File Name DESTROY PREVIOUS PRINTS

LJ6P10

SHOP