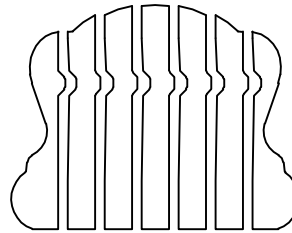
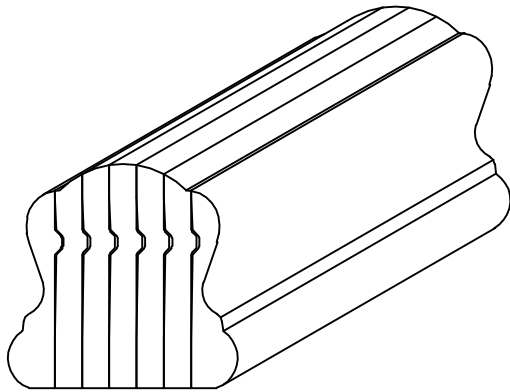
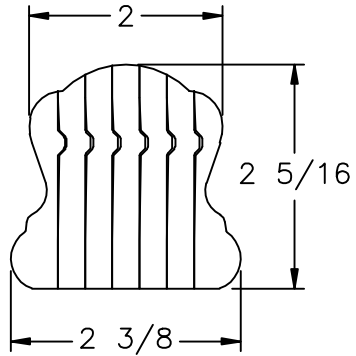



LJ-6B10B



NOTE: STANDARD LENGTHS ARE
8', 10', 12', 14', AND 16'.

NOTE: MINIMUM BENDING RADIUS IS
36" ON THE RAKE AND 48" ON THE LEVEL.

 35280 Scio-Bowenston Road Bowenston, OH 44695-9731 Phone (740) 269-4111 FAX (740) 269-9047 This drawing is the property of L.J. Smith Co. Do not use or copy without permission from L.J. Smith.		
Drawing Name		
LJ6B10B		
Date	Scale	Drawn By
08/04/09	DO NOT SCALE	KJP
File Name	DESTROY PREVIOUS PRINTS	
LJ6B10	SALES	