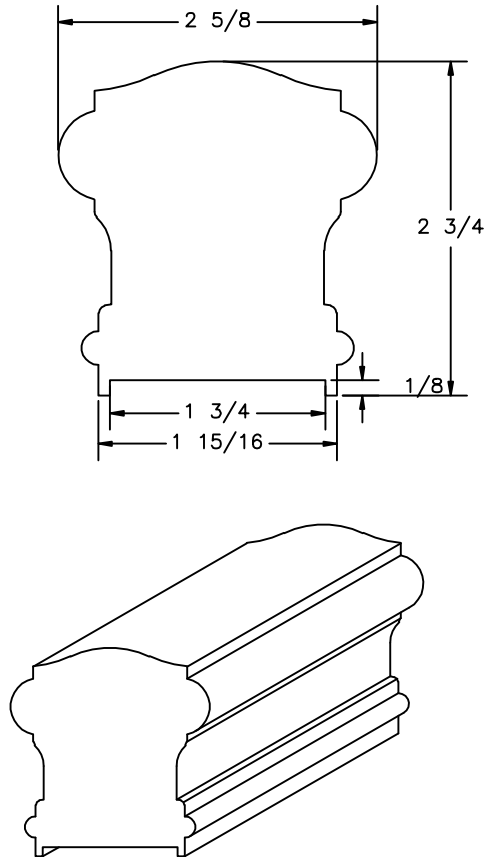
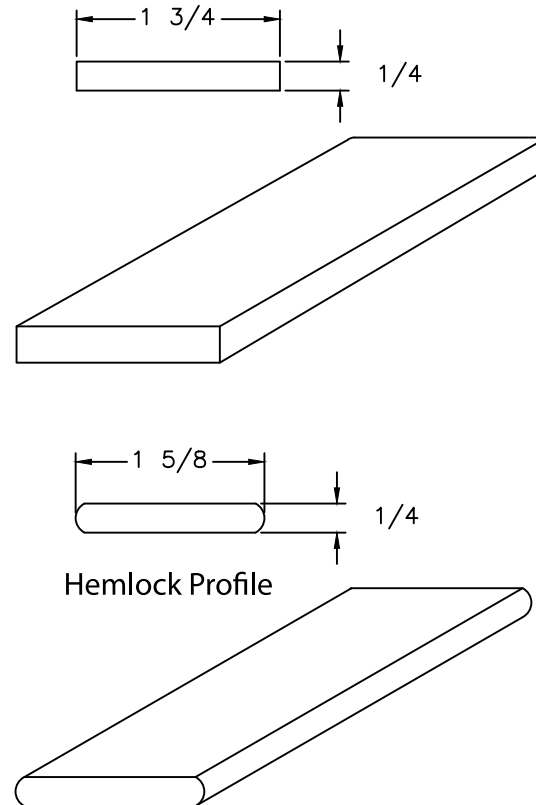


LJ-6900P




LJ-6007



NOTE: STANDARD LENGTHS ARE  
8', 10', 12', 14', AND 16'.

THERE ARE 4 LAMINATES.

|   |                         |      |
|---|-------------------------|------|
| <br>35280 Scio-Bowerston Road<br>Bowerston, OH 44695-9731<br>Phone (740) 289-4111 FAX (740) 289-8047<br><small>This drawing is the property of L.J. Smith Co. Do not use or copy without permission from L.J. Smith.</small> |                         |      |
| Drawing Name  |                         |      |
| LJ-6900P/LJ-6007  |                         |      |
| Date  | Scale                   | VEND |
| 04/26/2006  | DO NOT SCALE            | DLJ  |
| File Name   | DESTROY PREVIOUS PRINTS |      |
| LJ6900  | SALES                   |      |