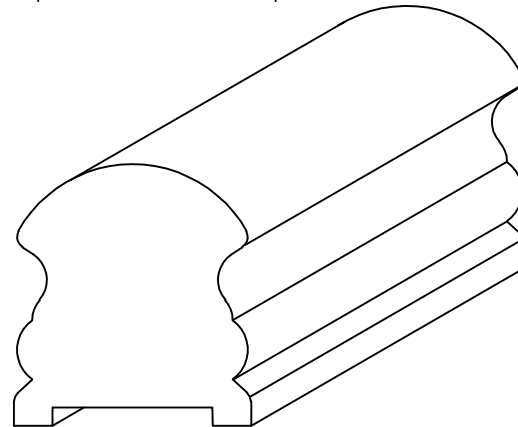
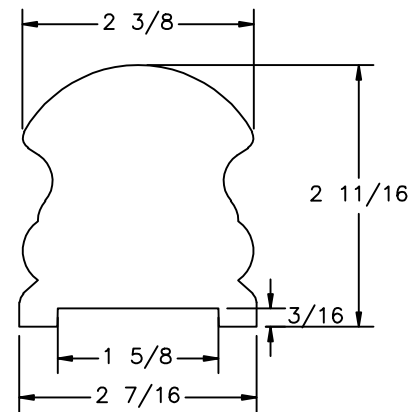


LJ-6519P HEMLOCK



NOTE: STANDARD LENGTHS ARE  
8', 10', 12', 14', AND 16'.



35280 Scio-Bowenston Road  
Bowerston, OH 44695-9731  
Phone (740) 269-4111 FAX (740) 269-9047  
This drawing is the property of L.J. Smith Co. Do not  
use or copy without permission from L.J. Smith.

Drawing Name		
LJ-6519P		
Date	Scale	Drawn By
10/30/2006	DO NOT SCALE	EDH
File Name	DESTROY PREVIOUS PRINTS	
LJ6519	SALES	