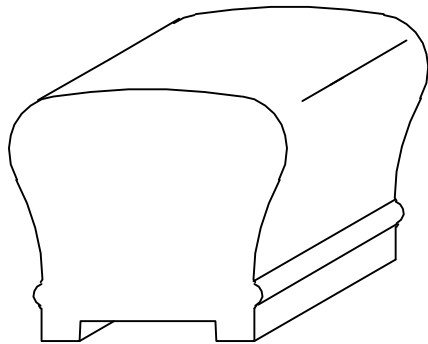
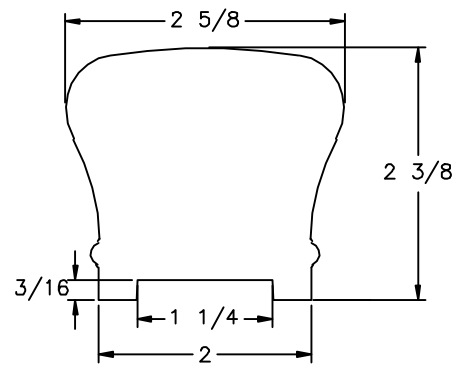



LJ-6210PO



NOTE: STANDARD LENGTHS ARE
8', 10', 12', 14', AND 16'.

 35280 Scio-Bowerston Road Bowerston, OH 44695-9731 Phone (740) 269-4111 FAX (740) 269-9047 <small>This drawing is the property of L.J. Smith Co. Do not use or copy without permission from L.J. Smith.</small>		
Drawing Name LJ-6210PO		
Date 02/06/2008	Scale VEND DO NOT SCALE	Drawn By DLJ
File Name LJ6210	DESTROY PREVIOUS PRINTS SALES	