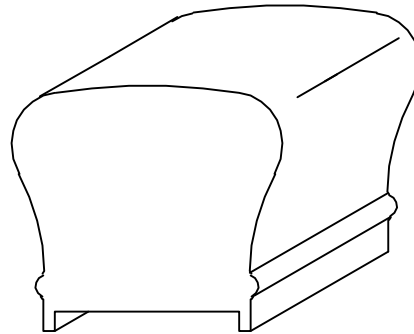
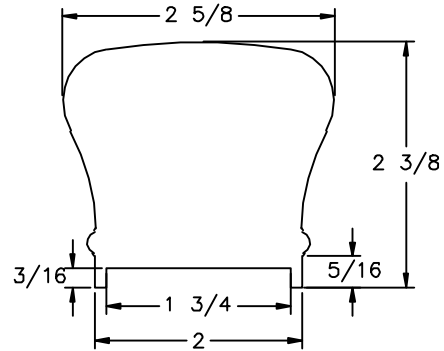


LJ-6210P



NOTE: STANDARD LENGTHS ARE
8', 10', 12', 14', AND 16'.

THERE ARE 3 LAMINATES.



35280 Scio-Bowerston Road
Bowerston, OH 44695-9731
Phone (740) 269-4111 FAX (740) 269-9047
This drawing is the property of L.J. Smith Co. Do not
use or copy without permission from L.J. Smith.

| | | |
|-----------------------------------|--------------|------|
| Drawing Name | | |
| LJ6210P | | |
| Date | Scale | VEND |
| 02/06/2008 | DO NOT SCALE | DLJ |
| File Name DESTROY PREVIOUS PRINTS | | |
| LJ6210 | SALES | |