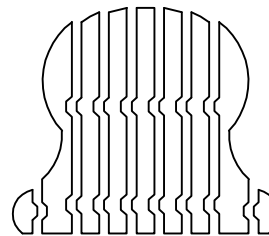
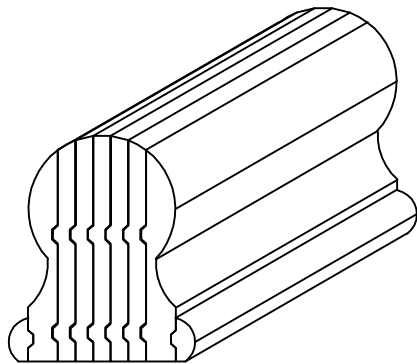
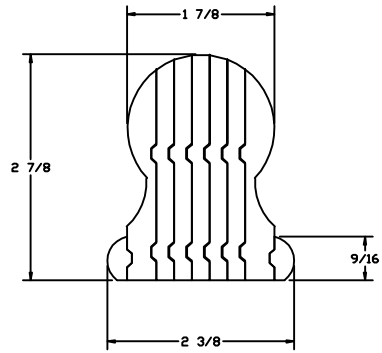



LJ-6109B



NOTE: STANDARD LENGTHS ARE
8', 10', 12', 14', AND 16'.
NOTE: MINIMUM BENDING RADIUS IS
36" ON THE RAKE AND 48" ON THE LEVEL.

 <p>35280 Scio-Bowerston Road Bowerston, OH 44695-9731 Phone (740) 269-4111 FAX (740) 269-9047 This drawing is the property of L.J. Smith Co. Do not use or copy without permission from L.J. Smith.</p>		
Drawing Name		
LJ6109B		
Date	Scale	Drawn By
05/28/2004	DO NOT SCALE	KJP
File Name DESTROY PREVIOUS PRINTS		
LJ6109	SALES	