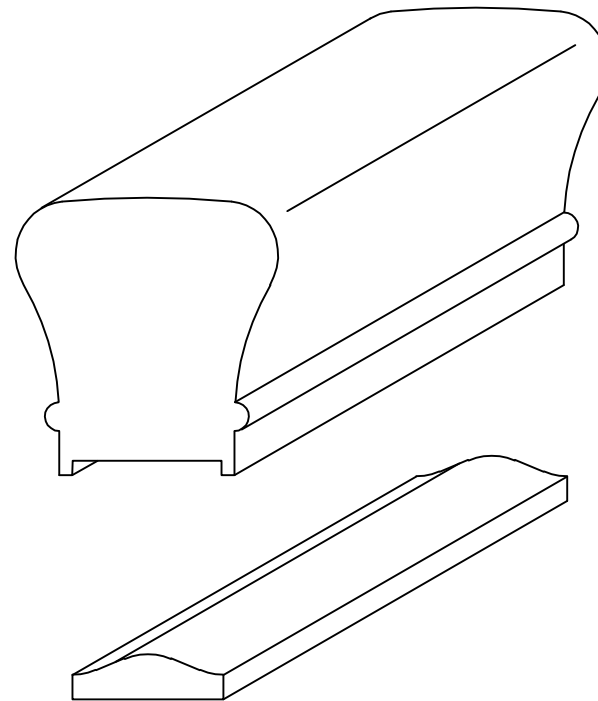
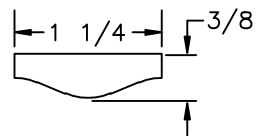
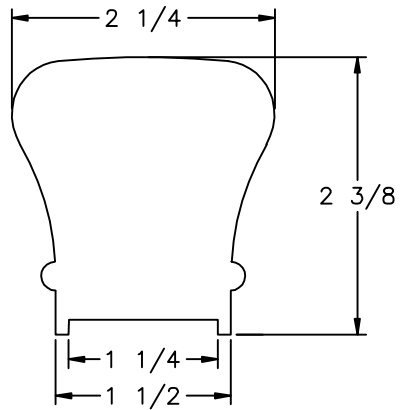


LJ-6010P



NOTE: STANDARD LENGTHS ARE
8', 10', 12', 14', AND 16'.



35280 Scio-Bowenston Road
Bowerston, OH 44695-9731

Phone (740) 269-4111 FAX (740) 269-9047

This drawing is the property of L.J. Smith Co. Do not
use or copy without permission from L.J. Smith.

Drawing Name			
LJ6010P/6000F			
Date	Scale	VEND	Drawn By
02/24/2006	DO NOT SCALE		D.L.J.
File Name	DESTROY PREVIOUS PRINTS		LJ6010
LJ6010	SALES		02/24/06