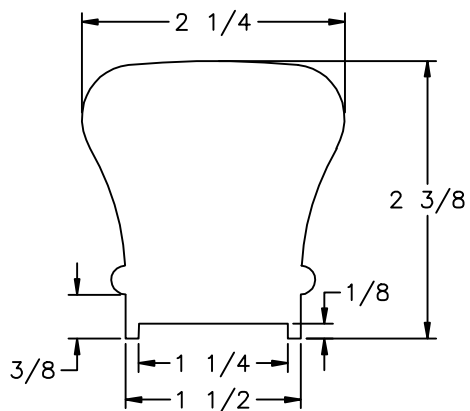
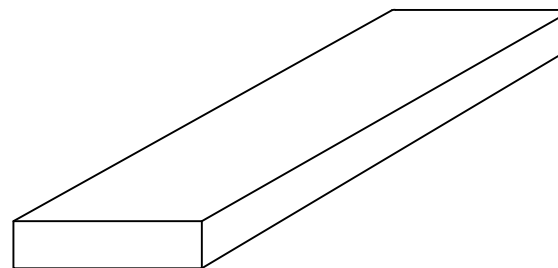
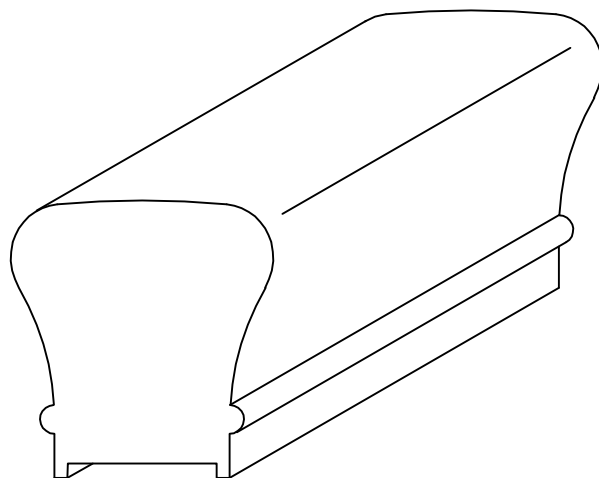
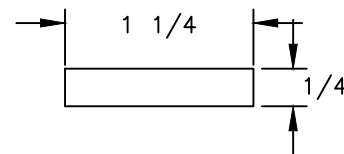


LJ-6010P




LJ-6000F



NOTE: STANDARD LENGTHS ARE 8', 10', 12', 14', AND 16'.

THERE ARE THREE LAMINATES.

| | | |
|--|-------------------------|--------|
|  | | |
| 35280 Scio-Bowenston Road Bowerston, OH 44695-9731 Phone (740) 269-4111 FAX (740) 269-9047 | | |
| <small>This drawing is the property of L.J. Smith Co. Do not use or copy without permission from L.J. Smith.</small> | | |
| Drawing Name | | |
| LJ-6010P/LJ-6000F | | |
| Date | Scale | VEND |
| 02/24/2006 | DO NOT SCALE | D.L.J. |
| File Name | DESTROY PREVIOUS PRINTS | |
| LJ6010 | SALES | |