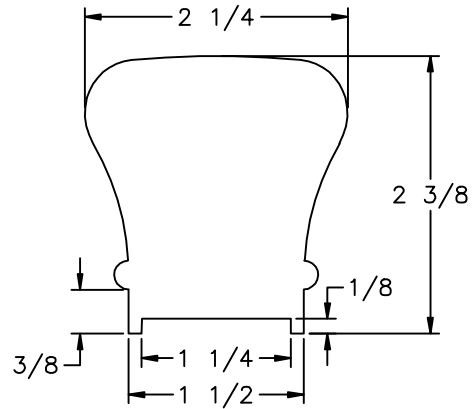
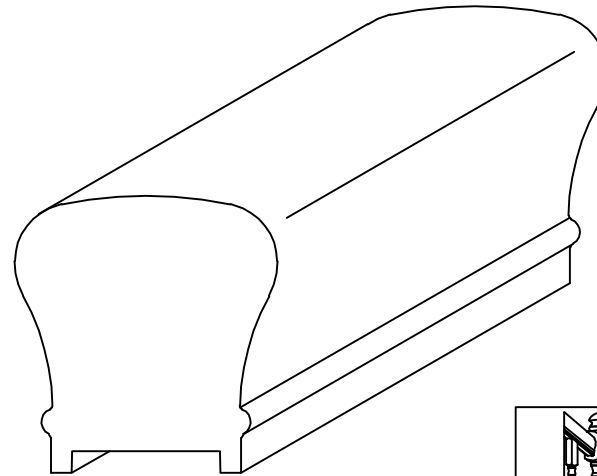
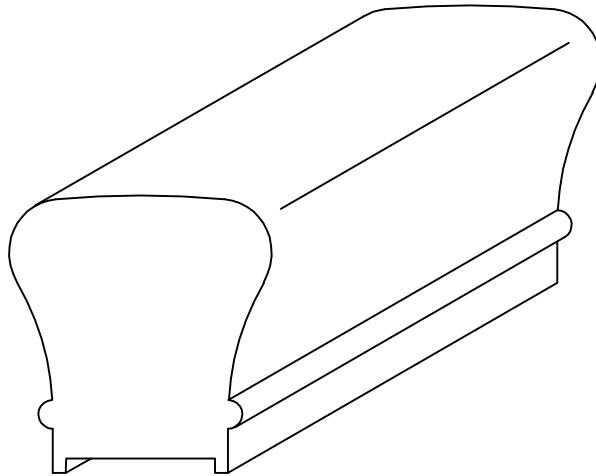
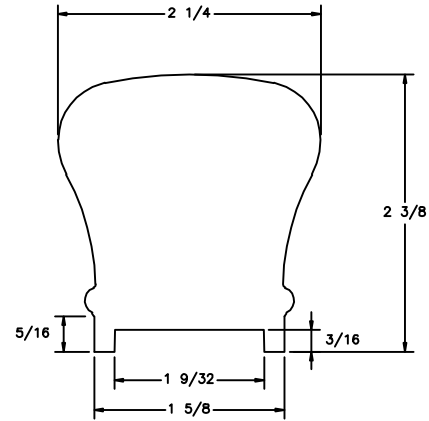


LJ-6010P




LJ-6010P HEMLOCK



NOTE: STANDARD LENGTHS ARE 8', 10', 12', 14', AND 16'.

THERE ARE THREE LAMINATES.

		
35280 Scio-Bowenston Road Bowerston, OH 44695-9731 Phone (740) 269-4111 FAX (740) 269-9047		
<small>This drawing is the property of L.J. Smith Co. Do not use or copy without permission from L.J. Smith.</small>		
Drawing Name		
LJ6010P		
Date	Scale	VEND
02/24/2006	DO NOT SCALE	D.L.J.
File Name	DESTROY PREVIOUS PRINTS	
LJ6010	SALES	