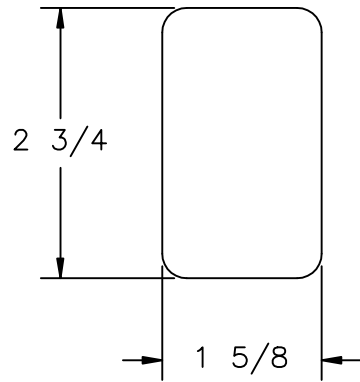
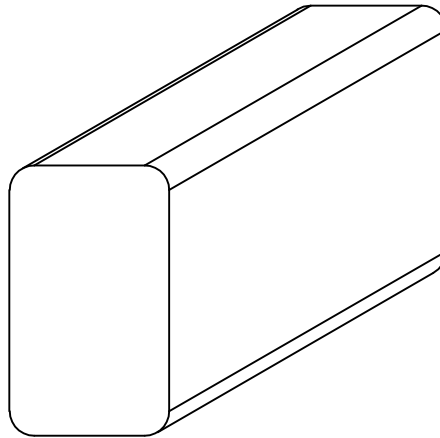



LJ-6002



NOTE: USE THE SAME SIDE AND TOP KNIVES AS THE LJ-6000
NOTE: THE BOTTOM KNIFE WILL BE A STRAIGHT KNIFE



NOTE: STANDARD LENGTHS ARE
8', 10', 12', 14', AND 16'.

 35280 Scio-Bowerston Road Bowerston, OH 44695-9731 Phone (740) 269-4111 FAX (740) 269-9047 <small>This drawing is the property of L.J. Smith Co. Do not use or copy without permission from L.J. Smith.</small>		
Drawing Name		
LJ-6002 REFERENCE		
Date	Scale	Drawn By
04/17/03	DO NOT SCALE	KJP
File Name DESTROY PREVIOUS PRINTS LJ6002		
LJ6002		SALES